



GEEPLUS

T1L-0730-xxV

**Coil Data**

Duty Cycle =  $\frac{\text{"on" time}}{\text{"on" time} + \text{"off" time}} \times 100\%$  50% ED

Maximum "on" time in seconds	10
Watts at 20°C	4,8
Ampere-Turns at 20°C	360

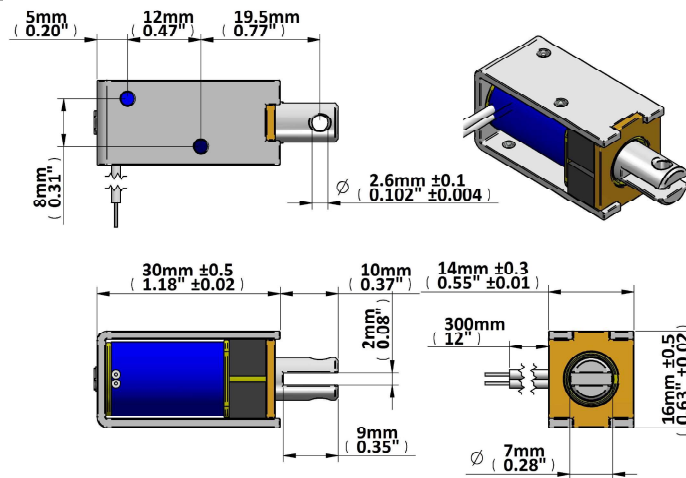
P/N

Resistance ±10% @ 20°C	Coil Turns	Volts DC	Release Current
------------------------	------------	----------	-----------------

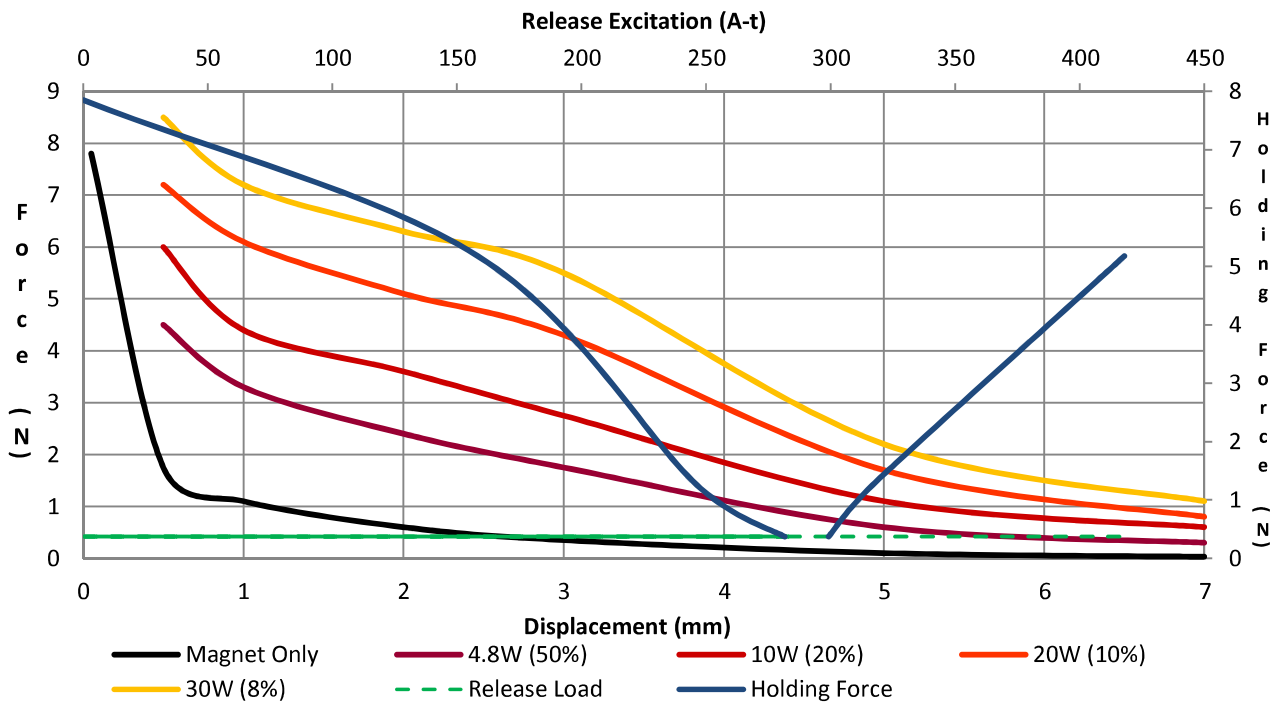
T1L-0730-6v	7.5 Ω	450	6	800 mA
T1L-0730-12v	30.0 Ω	880	12	400 mA
T1L-0730-24v	120.0 Ω	1860	24	200 mA

**General Parameters**

Life Expectancy (Cycles)	200 000
Mass	34.0 grammes
Plunger Mass	7.74 grammes
Leadwires 250mm (10")min, UL1007, AWG26	
Isolation Class	A (105°C)
Dielectric Strength 1000V AC, 50/60Hz, 1min	
Insulation Res >100MΩ, 500V DC Megger	



**Force (N) vs Displacement (mm) & Release Characteristic**



Geeplus reserves the right to change specifications without notice  
[www.geeplus.com](http://www.geeplus.com)