



GEEPLUS

T1L-0420-xxV

$$\text{Duty Cycle} = \frac{\text{"on" time}}{\text{"on" time} + \text{"off" time}} \times 100\% \quad 100\% \text{ ED}$$

**Coil Data**

Maximum "on" time in seconds	∞
Watts at 20°C	1
Ampere-Turns at 20°C	153

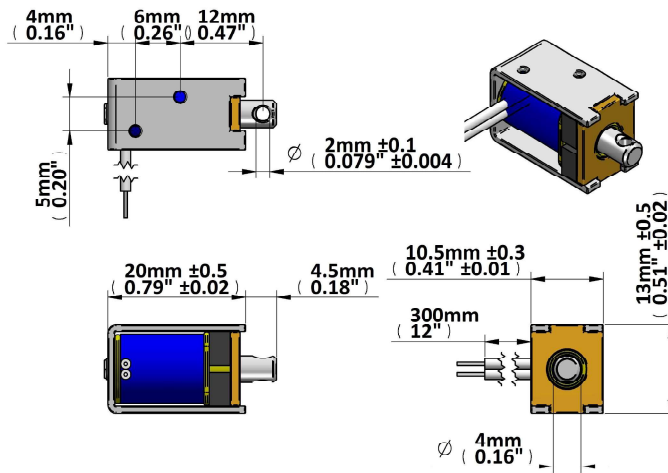
**P/N**

Resistance ±10% @ 20°C	Coil Turns	Volts DC	Release Current
------------------------	------------	----------	-----------------

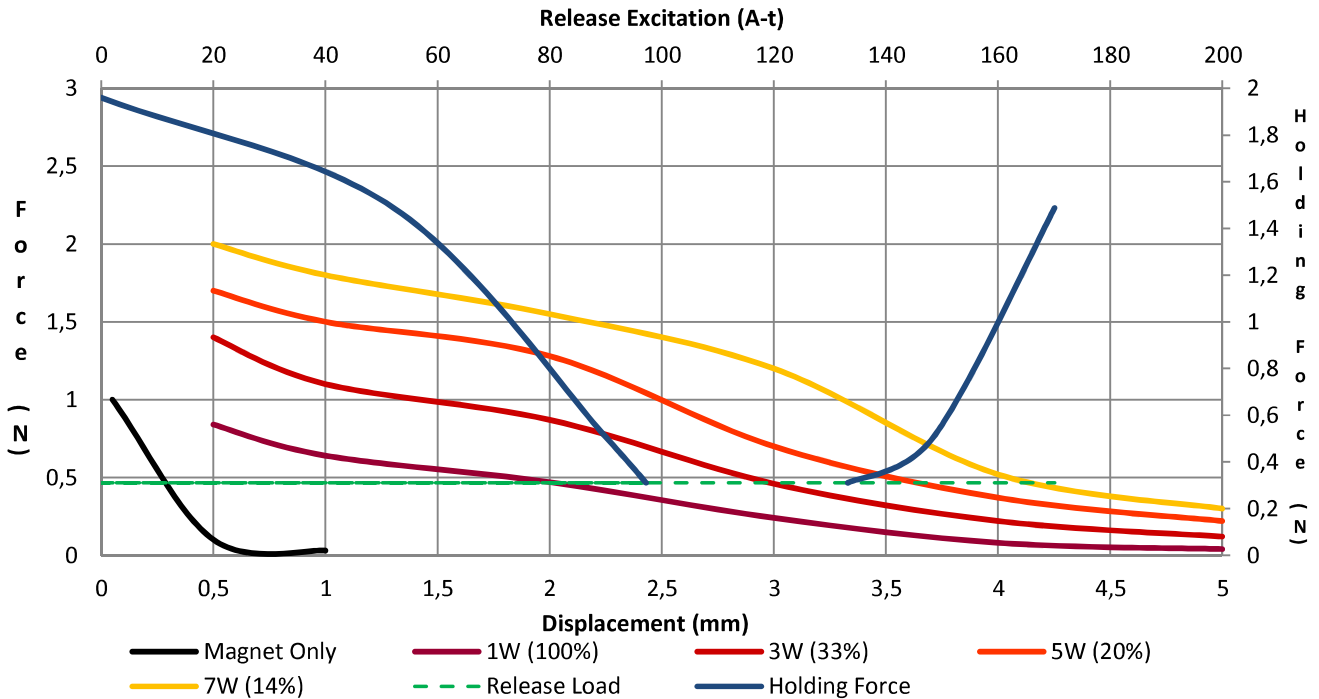
T1L-0420-6v	36.0 Ω	900	6	170mA
T1L-0420-12v	144.0 Ω	1850	12	80mA
T1L-0420-24v	576.0 Ω	3450	24	mA40

**General Parameters**

Life Expectancy (Cycles)	200 000
Mass	12.3 grammes
Plunger Mass	1.65 grammes
Leadwires 250mm (10")min, UL1007, AWG28	
Isolation Class	A (105°C)
Dielectric Strength 1000V AC, 50/60Hz, 1min	
Insulation Res >100MΩ, 500V DC Megger	



**Force (N) vs Displacement (mm) & Release Characteristic**



Geeplus reserves the right to change specifications without notice  
[www.geeplus.com](http://www.geeplus.com)