

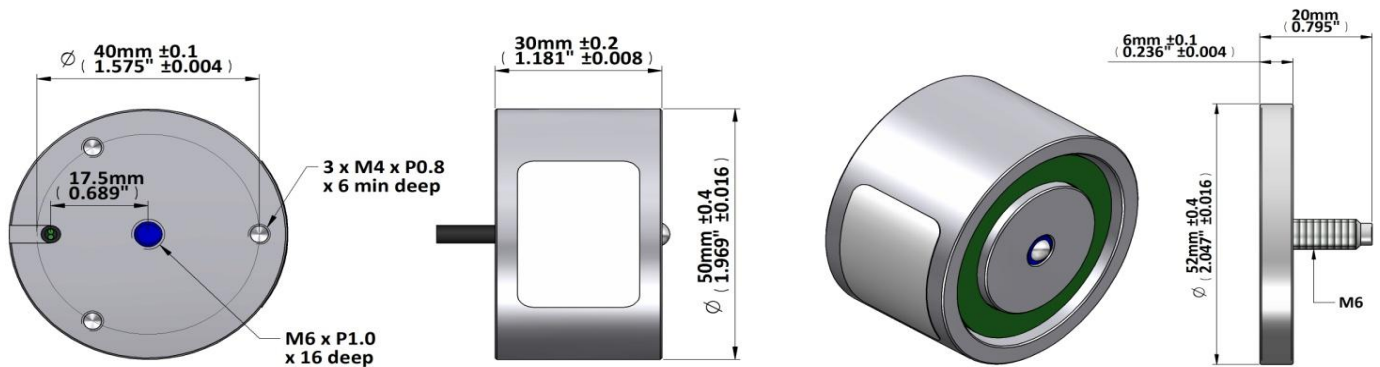
**GEEPLUS****EM0050 & AP52**

General Specifications

Insulation Class	Class A (105°C)
Insulation Resistance >50MΩ, 500V DC	
Dielectric Strength 500V AC, 50/60 Hz, 1 minute	

Mass
EM0050
0.38kg
AP52
0.11kg

Part Number	Coil Resistance	Voltage	Included Options
EM0050-12	32 Ω	12 V	
EM0050-24	130 Ω	24 V	
EME0050-12	32 Ω	12 V	Ejector Pin
EME0050-24	130 Ω	24 V	Ejector Pin



Holding Force Data

Separation (Airgap)	0.00 mm	0.05 mm	0.10 mm	0.20 mm	0.50 mm	1.00 mm
4.5W (100% ED)	875	800	435	170	20	7.7
2.25W (200% ED)	750	670	264	85	8	2.4
1.13W (400% ED)	630	420	84	54	3	

Holding force measured at 20°C to steel plate 8mm thick with surface Ra <1μm
 100% ED Power rating results in coil temperature rise of 65°C max with good heatsinking
 Force exerted by ejector pin in fully compressed condition 10N