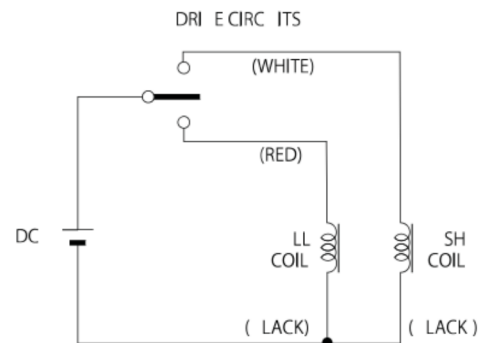
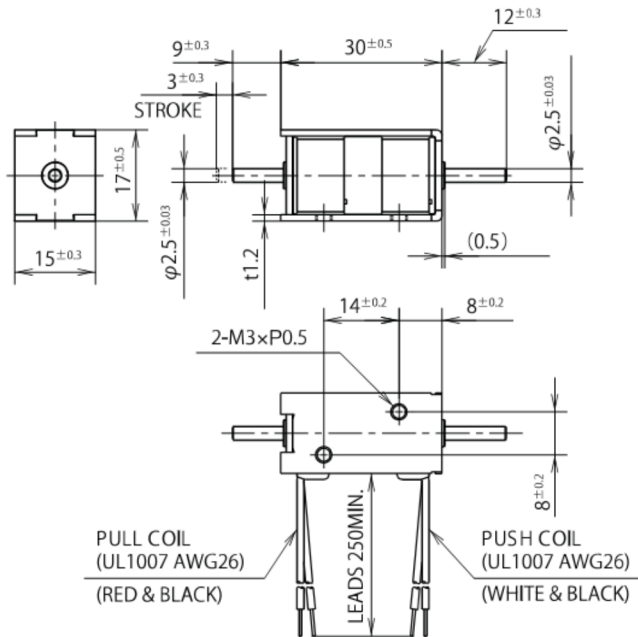
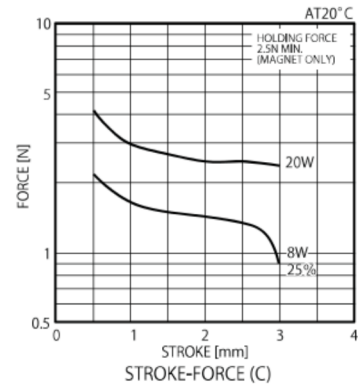


SH2LC0730 PERMANENT MAGNET SOLENOID

UNIT : mm



WEIGHT : 35g
PLUNGER: 7g



SHOWN ENERGIZED POSITION WHEN A VOLTAGE IS APPLIED TO PUSH COIL
STROKE: 3mm ± 0.3

COIL DATA

		without heat sink	
	duty cycle = $\frac{\text{"on" time}}{\text{"on" time} + \text{"off" time}} \times 100\%$	10% or less	
	MAX. "on" time in seconds	2	
	watts at 20°C	8	
	ampere-turns at 20°C	368	
type no.	resistance $\Omega \pm 10\%$ (at 20°C)	no. turns	volts DC
SH2LC0730-06	4.5	285	6
SH2LC0730-12	18	540	12
SH2LC0730-24	72	1100	24

Permanent Magnet(Self Holding) Solenoids