



GEEPLUS

Tubular Solenoid size 320

Device drawn in energised condition

Available plunger options:

pull (-Lx) / push (-Hx)

Life Expectancy (cycles):

>2M (-L, ;-H),

>5M (-LE, ;-HE),

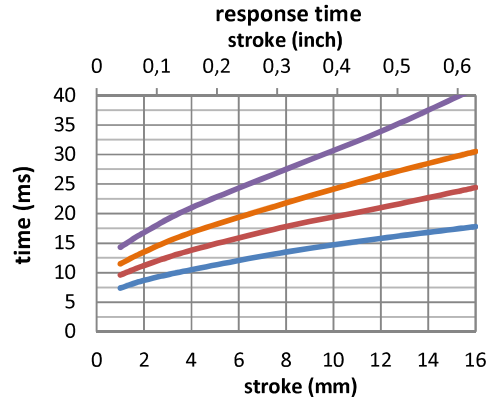
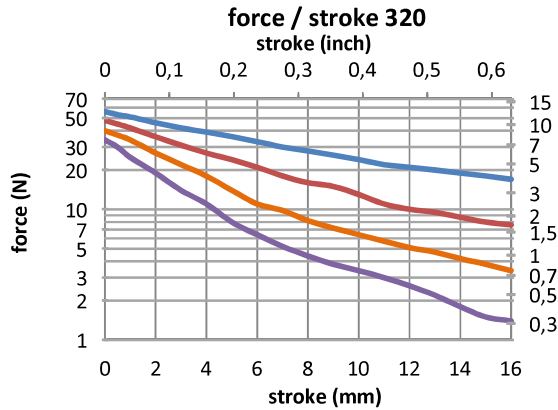
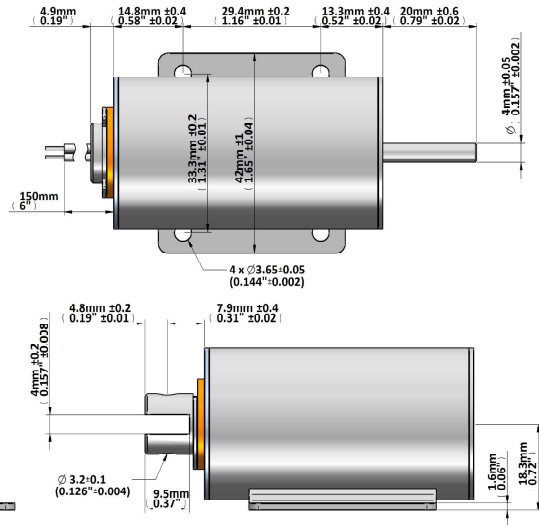
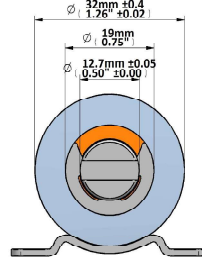
>10M (-LL, -HL)

Available mechanical options:

M: metric thread

F: SAE thread

Mass 299g
 Push Plunger 53g
 Pull Plunger 54g
 Leadwires UL1430,
 22AWG



Data at 20°C , device connected to heatsink 130x130x3mm aluminum

| duty cycle = $\frac{\text{"on" time}}{\text{"on" time} + \text{"off" time}} \times 100\%$ | | 100% cont. | 50% or less | 25% or less | 10% or less | |
|---|-----------------|--------------------|----------------|----------------|----------------|------|
| Max. "on" time in seconds | | ∞ | 390 | 60 | 18 | |
| watts at 20°C | | 13 | 26 | 52 | 130 | |
| ampere-turns at 20° | | 1500 | 2121 | 3000 | 4743 | |
| AWG no. | resistance | number of turns | volts DC | | | |
| | Ω±10% (at 20°C) | | | | | |
| 21 | 1,40 | 496 | 4,3 | 6,1 | 8,6 | 13,5 |
| 22 | 2,52 | 700 | 5,4 | 7,7 | 10,9 | 17,2 |
| 23 | 3,52 | 780 | 6,8 | 9,6 | 13,6 | 22 |
| 24 | 6,04 | 1056 | 8,6 | 12,2 | 17,2 | 27 |
| 25 | 8,5 | 1176 | 10,9 | 15,4 | 22 | 34 |
| 26 | 14,1 | 1540 | 13,8 | 19,5 | 28 | 44 |
| 27 | 22,5 | 1970 | 17,3 | 24 | 35 | 55 |
| 28 | 36,1 | 2484 | 22 | 31 | 44 | 69 |
| 29 | 55,1 | 3060 | 27 | 38 | 54 | 86 |
| 30 | 88,1 | 3805 | 35 | 49 | 70 | 110 |
| 31 | 147 | 5044 | 44 | 62 | 88 | 139 |
| 32 | 214 | 5992 | 54 | 76 | 107 | 170 |
| 33 | 354 | 7744 | 69 | 98 | 138 | 218 |
| 34 | 566 | 9730 | 88 | 124 | 175 | 277 |
| 35 | 900 | 12200 | 111 | 157 | 222 | 351 |
| 36 | 1310 | 14150 | 139 | 197 | 278 | 440 |
| 37 | 2060 | 18100 | 172 | 243 | 344 | 544 |

Insulation Resistance >100MΩ, 500VDC Megger

Dielectric Strength 1000VAC, 50/60Hz, 1 minute

Class E (120°C) insulation class

Geeplus reserves the right to change specifications without notice

www.geeplus.com