



GEEPLUS

VM6548

P_{100} is the continuous (100% ED) excitation power at which the coil attains temperature T_{max} with the part mounted to a massive heatsink at 20°C

P_{100} 28 W

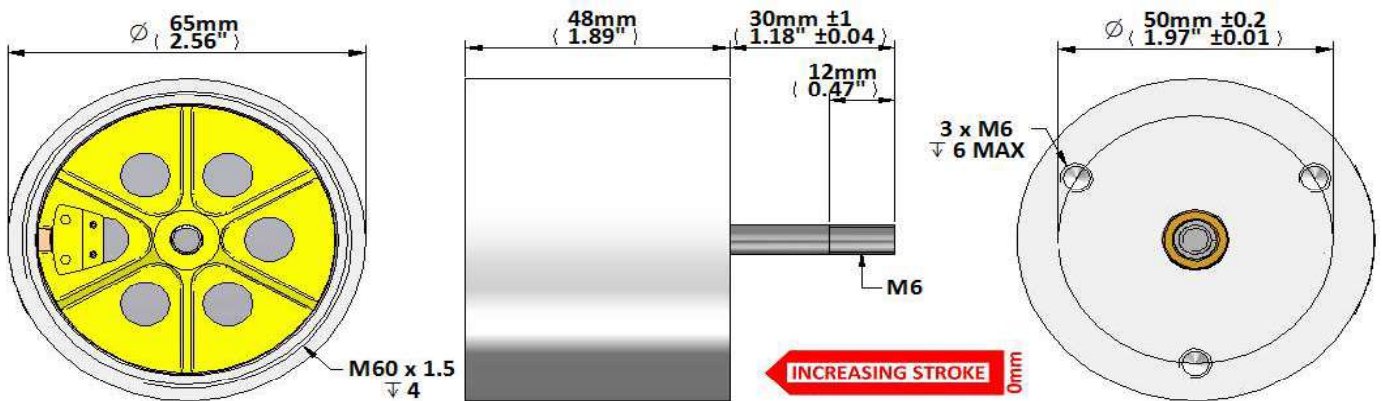
T_{max} 130 °C

Total Mass 950 g

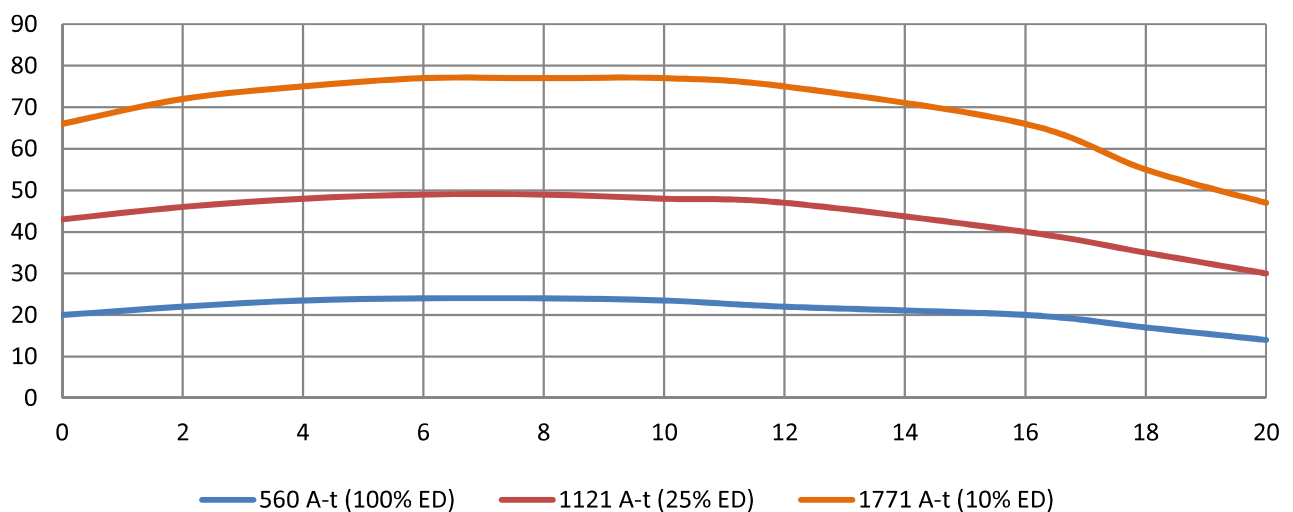
Coil Mass 90 g

Model No.	Resistance R_{20}	Inductance	Force Constant	Velocity Constant	Current I_{100}
VM6548-400	7.8 Ω	7.4 mH	19 N/A	19 Vs/m	1.6 A
VM6548-315	23.3 Ω	12.0 mH	32 N/A	32 Vs/m	0.9 A
VM6548-200	121.0 Ω	96.0 mH	72 N/A	72 Vs/m	0.4 A

	Max 'ON' time	Peak Force
100% ED	∞	24 N
50% ED	90 s	34 N
25% ED	35 s	49 N
10% ED	13 s	77 N



Force (N) vs Displacement (mm)



Geeplus reserves the right to change specifications without notice

www.geeplus.com