



GEEPLUS

VM6340L

P_{100} is the continuous (100% ED) excitation power at which the coil attains temperature T_{max} with the part mounted to a massive heatsink at 20°C

P_{100} 28 W

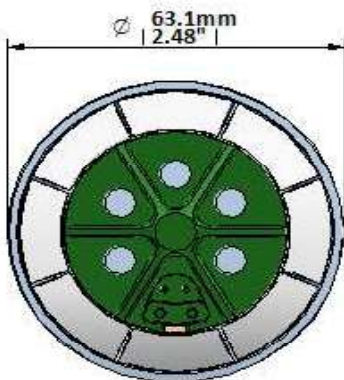
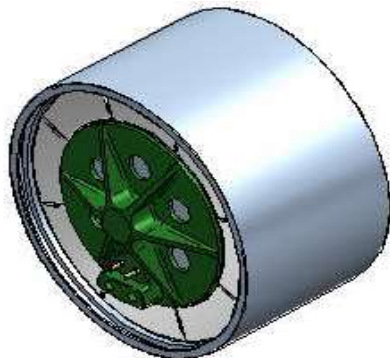
T_{max} 130 °C

Total Mass 750 g

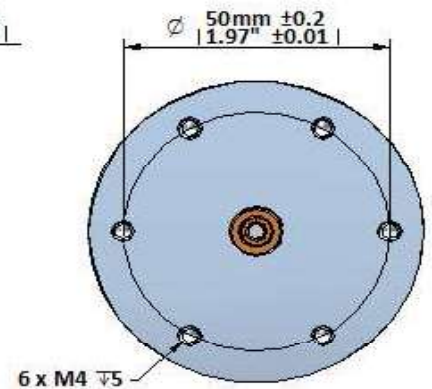
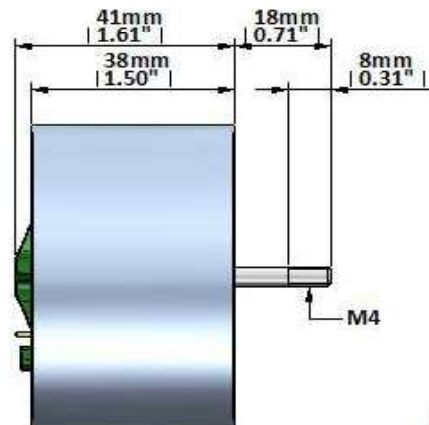
Coil Mass 43 g

Model No.	Resistance R_{20}	Inductance	Force Constant	Velocity Constant	Current I_{100}
VM6340L-400	3.7 Ω	1.8 mH	14 N/A	14 Vs/m	2.3 A
VM6340L-250	22.0 Ω	10.0 mH	33 N/A	33 Vs/m	1.0 A
VM6340L-190	67.0 Ω	31.0 mH	57 N/A	57 Vs/m	0.5 A

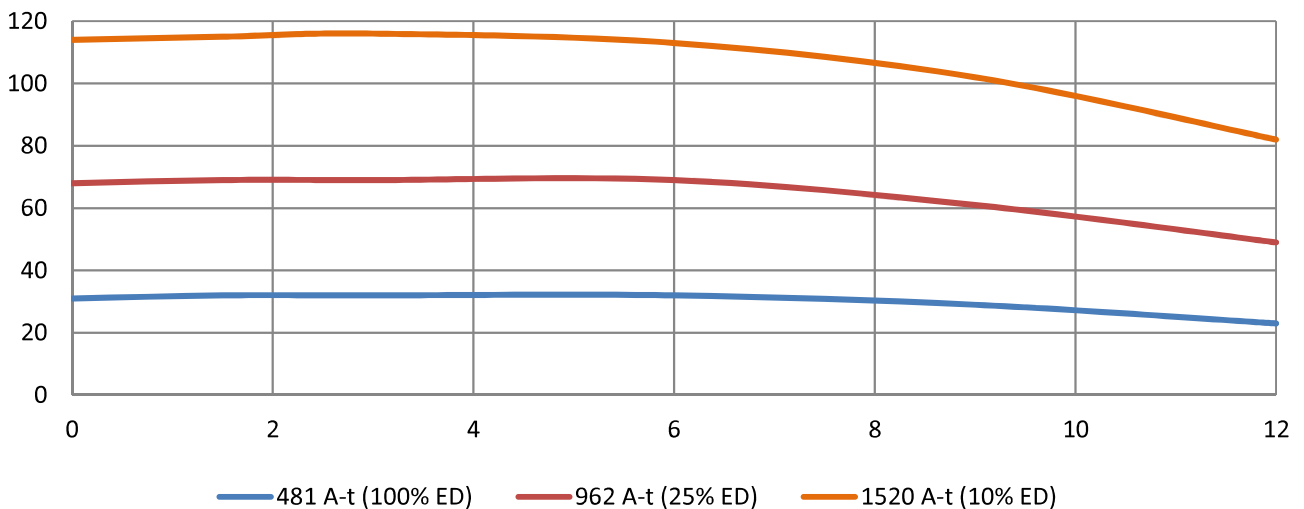
	Max 'ON' time	Peak Force
100% ED	∞	32 N
50% ED	65 s	48 N
25% ED	12 s	69 N
10% ED	3 s	116 N



INCREASING STROKE 0mm



Force (N) vs Displacement (mm)



Geeplus reserves the right to change specifications without notice

www.geeplus.com