



# GEEPLUS

# VM4632

$P_{100}$  is the continuous (100% ED) excitation power at which the coil attains temperature  $T_{max}$  with the part mounted to a massive heatsink at 20°C

$P_{100}$     **21 W**

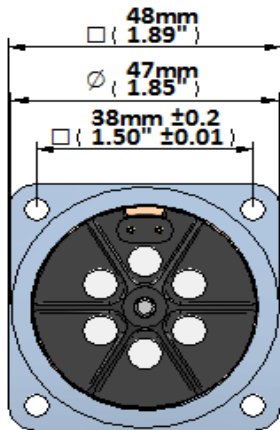
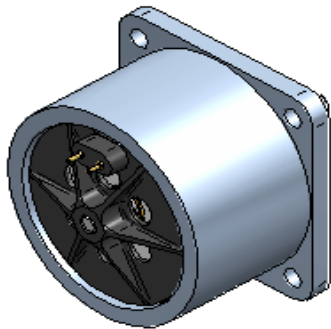
$T_{max}$     **130 °C**

**Total Mass    360 g**

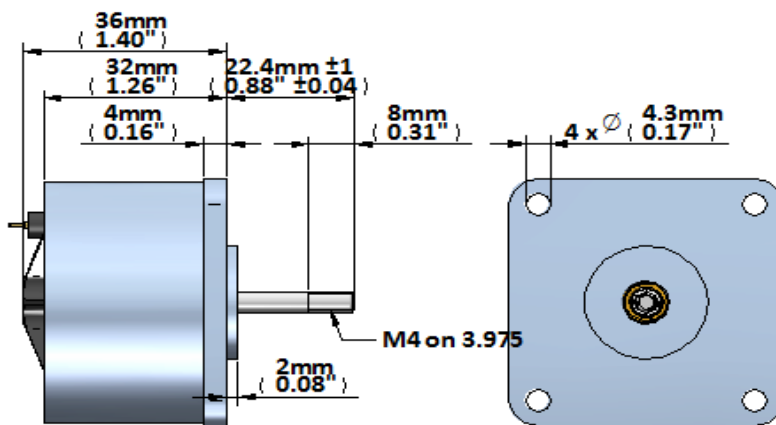
**Coil Mass        23 g**

Model No.	Resistance $R_{20}$	Inductance	Force Constant	Velocity Constant	Current $I_{100}$
VM4632-355	2.5 $\Omega$	0.8 mH	6 N/A	6 Vs/m	2.5 A
VM4632-250	10.1 $\Omega$	3.7 mH	13 N/A	13 Vs/m	1.2 A
VM4632-200	24.5 $\Omega$	9.7 mH	20 N/A	20 Vs/m	0.8 A
VM4632-180	35.0 $\Omega$	12.1 mH	23 N/A	23 Vs/m	0.7 A

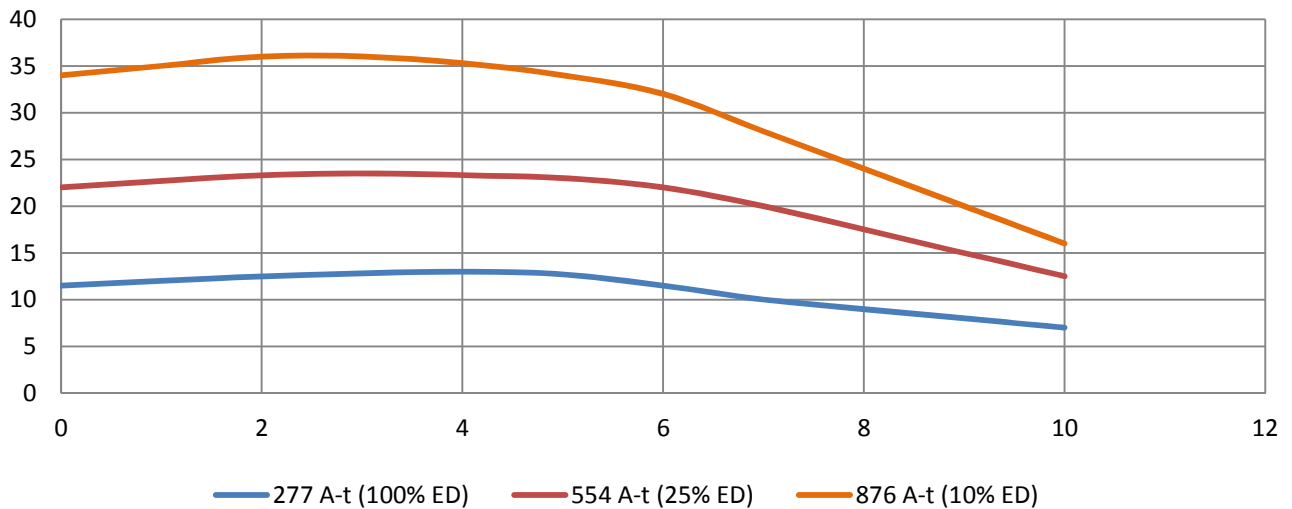
	Max 'ON' time	Peak Force
100% ED	$\infty$	13.0 N
50% ED	27 s	16.0 N
25% ED	10 s	23.5 N
10% ED	3 s	36.0 N



**INCREASING STROKE** 0mm



**Force (N) vs Displacement (mm)**



Geeplus reserves the right to change specifications without notice

[www.geeplus.biz](http://www.geeplus.biz) e-mail: [info@geeplus.biz](mailto:info@geeplus.biz)