



GEEPLUS

VM4032 & VM4040

P_{100} is the continuous (100% ED) excitation power at which the coil attains temperature T_{max} with the part mounted to a massive heatsink at 20°C

P_{100} 16 W

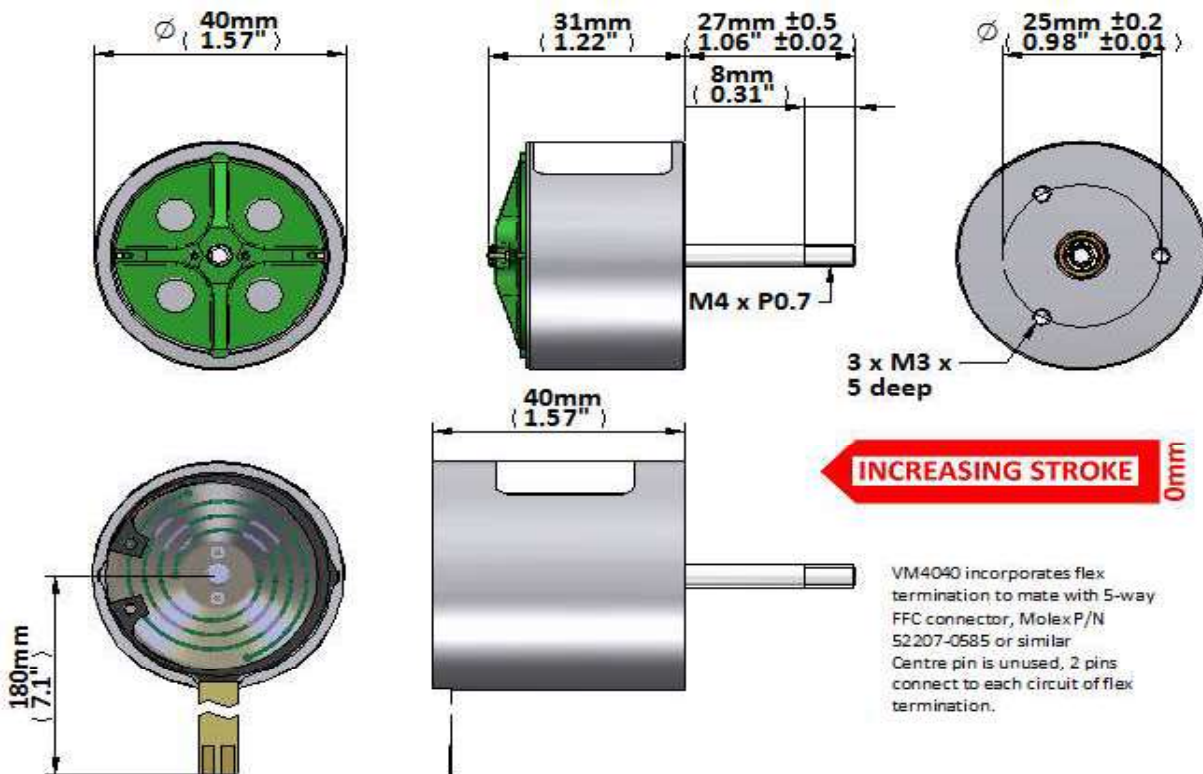
T_{max} 130 °C

Total Mass 230 g

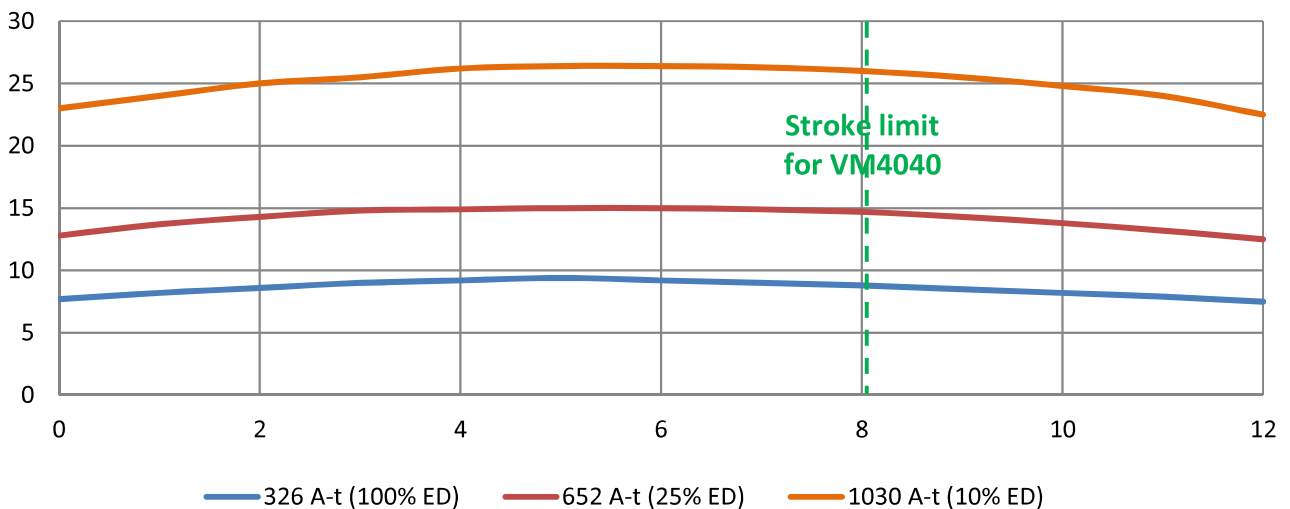
Coil Mass 25 g

| Model No. | Resistance R_{20} | Inductance | Force Constant | Velocity Constant | Current I_{100} |
|------------|------------------------|------------|-------------------|----------------------|----------------------|
| VM40xx-315 | 4.3 Ω | 1.5 mH | 5 N/A | 5 Vs/m | 1.6 A |
| VM40xx-250 | 12.8 Ω | 5.2 mH | 10 N/A | 10 Vs/m | 0.9 A |
| VM40xx-200 | 26.0 Ω | 7.8 mH | 12 N/A | 12 Vs/m | 0.7 A |

| | Max 'ON' time | Peak Force |
|---------|---------------|---------------|
| 100% ED | ∞ | 9 N |
| 50% ED | 90 s | 12 N |
| 25% ED | 28 s | 15 N |
| 10% ED | 8 s | 26 N |



Force (N) vs Displacement (mm)



Geeplus reserves the right to change specifications without notice

www.geeplus.com