

# HYGIENIC, ALL 300 SERIES STAINLESS STEEL, IP69K ERD

The all 300 series stainless-steel ERD incorporates hygienic design principles and has an IP69k rating (static). Available in 22, 25 & 30 sizes, the ERD is built-to-order in stroke lengths up to 1.21 m (48") with force up to 35 kN (7,868 lbf).

**ALL 300 SERIES STAINLESS STEEL CONSTRUCTION**

- 300 series stainless steel for corrosion resistance
- Simplifies and lowers cost of machine design by eliminating the need for protective guards around standard actuators

**MULTIPLE SCREW TECHNOLOGIES YOU CAN CHOOSE:**

- Ball nuts offer efficiency at a cost effective price; low-backlash available
- Roller nuts provide the highest thrust and life ratings available



**USDA SCRAPER**

- Available with USDA certified option **HYG1**



**SMOOTH EXTERIOR**


- This primary design decision eases cleanup and helps to prevent bacterial growth

**WELDED SEAMS**

- Leaving no gaps which eases cleanup and helps to prevent bacterial growth

**DURABLE IP69K SEALS**

- Polyurethane for IP69k ingress protection and resistance to caustic wash-down
- Clean-in-place compatible



**Volumetric Filling**

HYG1 option is recommended for product contact applications. See Tolomatic document #2190-4003 for requirements

**Applications:**

- Aligning
- Conveyors
- Chopping
- Cutting
- Dumping
- Filling
- Open / close doors
- Open / close lids
- Packaging equipment
- Slicing
- Sorting
- Volumetric pumps & more!

**Available Options:**

**Mounting**

Front Flange, Foot, Trunnion

**Sensors**

With mounting bracket

**Environmental Protection**

Food grade grease, USDA approved scraper/bracket

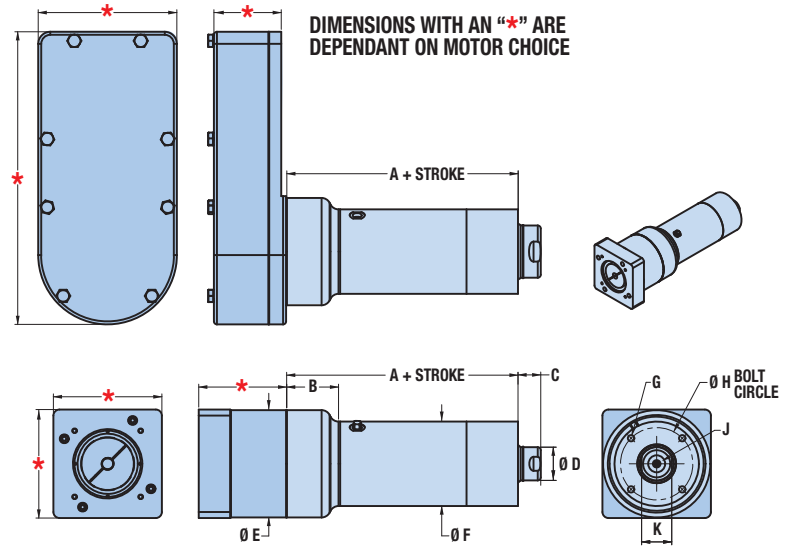
# HYGIENIC, ALL 300 SERIES STAINLESS STEEL, IP69K

## Specifications (metric measurement)

ERD SIZE	MAXIMUM STROKE*	SCREW CODE	LEAD	LEAD ACCURACY	BACKLASH	MAXIMUM THRUST	DYNAMIC LOAD RATING
22	1000	BN02	12.70	0.10	0.38	7117	12615
		BN05	5.08	0.08	0.38	4226	7224
		BNM05	5.00	0.05	0.10	4448	8710
		BNM10	10.00	0.05	0.10	4003	5400
		BNM20	20.00	0.10	0.10	4448	11387
	609.6	RNM04	4.00	0.01	0.03	7562	24808
25	1000	RNM05	5.00	0.01	0.03	7562	24808
		RNM10	10.00	0.01	0.03	3781	30270
		BN01	25.40	0.102	0.05	3163	11120
		BN02	12.70	0.102	0.05	6330	29100
		BN04	6.35	0.102	0.05	12660	23300
	914.4	BNM05	5.00	0.051	0.10	8896	15101
30	1219	BNM10	10.00	0.051	0.10	7784	15000
		BNM25	25.00	0.102	0.13	3114	11285
		RNM04	4.00	0.0102	0.03	14679	56768
		RNM05	5.00	0.0102	0.03	14679	56768
		RNM10	10.00	0.0102	0.03	6672	56768
	1219	BN04	6.35	0.102	0.38	20017	31774
1219	BNM05	5.00	0.051	0.10	13345	29865	
	BNM10	10.00	0.051	0.10	13122	33255	
1219	BNM20	20.00	0.051	0.13	8207	24590	
	RNM05	5.00	0.010	0.03	34999	56768	
	RNM10	10.00	0.010	0.03	35332	56768	

## Dimensions SIZE: 22, 25, 30

# ERD



	A	B	C	D	Ø E	Ø F	
ERD22	mm	187.33	42.88	17.8	27.99	74.9	56.9
ERD25	mm	243.74	54.66	23.9	35.00	113.0	88.9
ERD30	mm	243.74	54.66	23.9	54.99	113.0	88.9

	G	Ø H	
ERD22	mm	M6 x 1.0 - 6H $\pm$ 12.0 (.47")	45.49
ERD25	mm	M8 x 1.25 - 6H $\pm$ 16.0 (.63")	76.20
ERD30	mm	M8 x 1.25 - 6H $\pm$ 16.0 (.63")	76.20

	J	K	
ERD22	mm	M12 x 1.25 $\pm$ 33.0 (.88")	25.40
ERD25	mm	M20 x 1.5 $\pm$ 25.4 (1.00")	31.75
ERD30	mm	M27 x 2.0 $\pm$ 33.0 (1.30")	50.80


**COMPLETE INFORMATION, SIZING SOFTWARE AND SOLID MODELS AVAILABLE AT:**  
[www.tolomatic.com](http://www.tolomatic.com)


**3D CAD LIBRARY**



COMPANY WITH QUALITY SYSTEM  
 CERTIFIED BY DNV GL  
 = ISO 9001 =  
 Certified site: Hamel, MN

**USA**  
 3800 County Road 116  
 Hamel, MN 55340, USA  
**Phone:** (763) 478-8000  
**Fax:** (763) 478-8080  
 Toll-Free: **1-800-328-2174**  
 sales@tolomatic.com  
[www.tolomatic.com](http://www.tolomatic.com)

**CHINA**  
**Tolomatic Automation Products (Suzhou) Co. Ltd.**  
*(ServoWeld® inquiries only)*  
 No. 60 Chuangye Street, Building 2  
 Huqiu District, SND Suzhou  
 Jiangsu 215011 - P.R. China  
**Phone:** +86 (512) 6750-8506  
**Fax:** +86 (512) 6750-8507  
 ServoWeldChina@tolomatic.com

**EUROPE**  
**Tolomatic Europe GmbH**  
 Elisabethenstr. 20  
 65428 Rüsselsheim  
 Germany  
**Phone:** +49 6142 17604-0  
 help@tolomatic.eu

All brand and product names are trademarks or registered trademarks of their respective owners. Information in this document is believed accurate at time of printing. However, Tolomatic assumes no responsibility for its use or for any errors that may appear in this document. Tolomatic reserves the right to change the design or operation of the equipment described herein and any associated motion products without notice. Information in this document is subject to change without notice.

Visit [www.tolomatic.com](http://www.tolomatic.com) for the most up-to-date technical information