

COMBINATION HINGE HG-VH8



Passed 50,000 open/
close private cycle test



Black



White

- Hinges with built-in damper, spring or torque unit, etc.
- Various motions by using hinges with different built-in parts in combination.
- For hinges with built-in springs, the spring tension can be adjusted with a hex key.

[Specifications]

- Operating temperature: 0°C ~40°C

[Applications]

- Lightweight lids of small equipment, etc.

[Remarks]

- Be sure to read the "Cautions" 1
- When installing, ensure that both hinge shafts are aligned.

Selection Tool
Sasuga-kun
 Applicable Products
 Used for Product Selection & Simulation.
 Available on Web!

Video Link



※The applicable products are only limited to hinges with built-in "damper" or "torque unit".

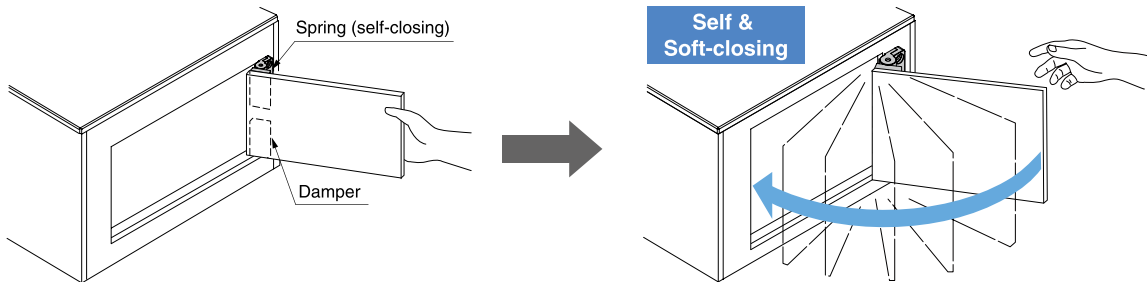
[Hinge Motions] For top-opening lid

		Part Built-in	Without Part Built-in	Damper	Spring (self-opening)	Spring (self-closing)	Torque
Motions				Soft-close 	Self-opening 	Self-closing 	Free stop
			Freely opens and closes as normal hinges.	Slowly closes.	Always tries to open.	Always tries to close.	Stops at any position.
Possible Combinations (built-in unit)	Without Part Built-in	Yes	Yes	Yes	Yes	Yes	Yes
	Damper	Yes	Yes	Yes	Yes	Yes	No
	Spring (self-opening)	Yes	Yes	Yes	Yes	No	It depends
	Spring (self-closing)	Yes	Yes	Yes	No	Yes	It depends
	Torque	Yes	Yes	No	It depends	It depends	Yes

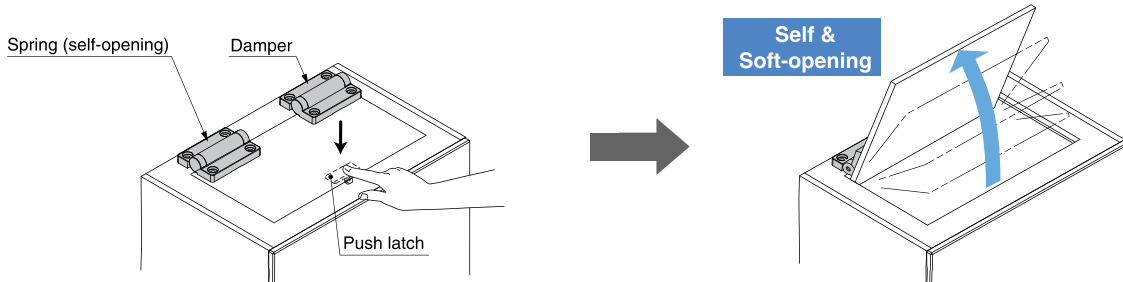
(It depends) Please carry out thorough tests before using since performance with these combinations might vary depending on door size and weight.

[Combination Example]

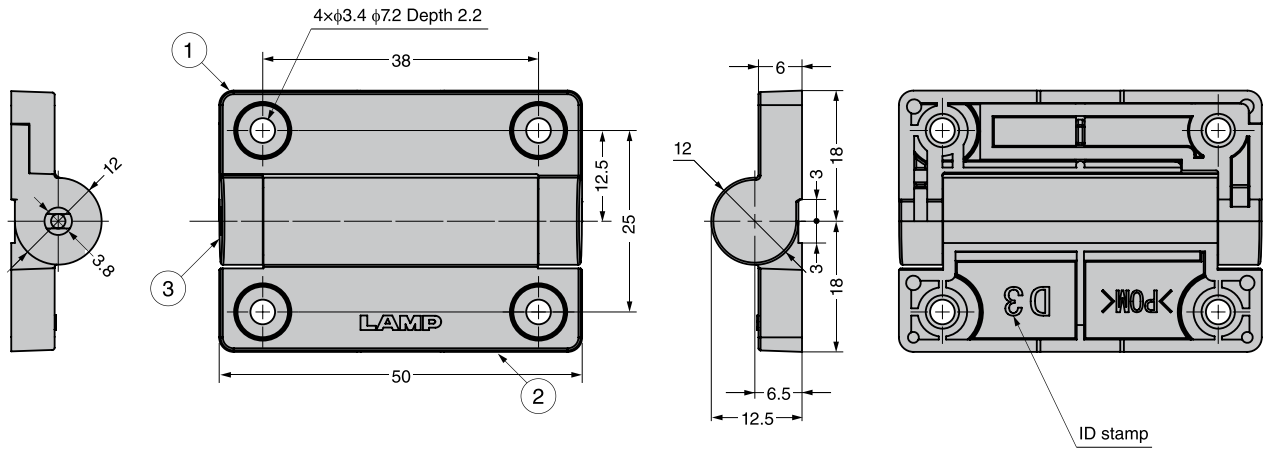
- Spring (self-closing) + Damper (lateral-opening)



- Spring (self-opening) + Damper (using top-opening lid with a push latch)



Refer to 1 : P.15



No.	Part Name	Material	Colour
①	Bracket A	POM	Black, White
②	Bracket B		
③	Bracket C		
-	Damper URD8-3	POM, etc.	-
-	Spring Unit URS8	-	-
-	Torque Unit URT8	-	-

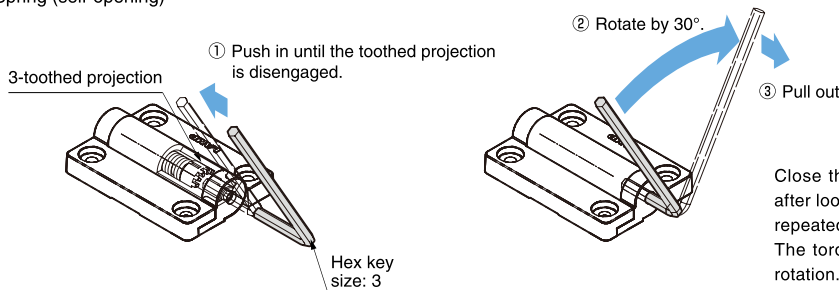
Lateral-opening door weight: Max. 810g
 Reference door size: W300 x H450 x t 5 mm
 Acrylic plate, Density 1.2 g/cm³

RoHS	CAD	Item Code	Item Name	Part Built-in	ID Stamp	Colour	Torque N·m/pc	Torque kgf·cm/pc	Opening Angle	Weight (g)	Box (pcs)	Carton (pcs)		
☑	3D	170-032-616	HG-VH8-N-BL	-	N	Black	-	-	270°	11	40	640		
☑	3D	170-032-617	HG-VH8-N-WT	-	N	White	-	-			40	640		
☑	3D	170-032-618	HG-VH8-D3-BL	Damper	D3	Black	0.022~0.038	0.22~0.39		14	14	40	640	
☑	3D	170-032-619	HG-VH8-D3-WT			White						40	640	
☑	3D	170-032-620	HG-VH8-OP-BL	Spring (self-opening)	OP	Black	※	※			18	18	40	640
☑	3D	170-032-621	HG-VH8-OP-WT			White	40	640						
☑	3D	170-032-622	HG-VH8-CL-BL	Spring (self-closing)	CL	Black	※	※			19	19	40	640
☑	3D	170-032-623	HG-VH8-CL-WT			White	40	640						
☑	3D	170-032-624	HG-VH8-T15-BL	Torque	T1	Black	0.15 ± 0.05	1.53 ± 0.51			19	19	40	640
☑	3D	170-032-625	HG-VH8-T15-WT			White							40	640
☑	3D	170-032-626	HG-VH8-T35-BL			Black			T3				0.35 ± 0.1	3.57 ± 1.02
☑	3D	170-032-627	HG-VH8-T35-WT	White	40	640								

※ Increased by 0.0153N·m (0.16kgf·cm) by adjusting the spring tension. The initial value of the spring tension is 0N·m.

[How to Adjust Spring Tension]

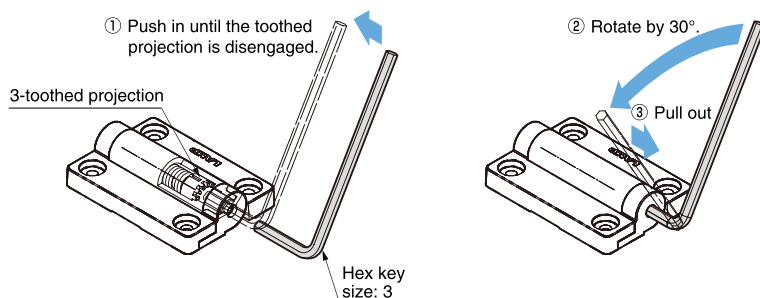
● Spring (self-opening)



Close the lid, and check if the lid can be opened smoothly after loosening your hand(s). If the spring tension is not enough, repeated steps ① ~ ③.

The torque will be increased by 0.0153N·m at each 30° of rotation. Generally no more than 4 times (120°) are required. To restore to the initial state, rotate in the direction opposite to above.

● Spring (Self-closing)



Open the lid and check if the lid can be closed smoothly after loosening your hand(s). If the spring tension is not enough, repeated steps ① ~ ③.

The torque will be increased by 0.0153N·m at each 30° of rotation. Generally no more than 4 times (120°) are required. To restore to the initial state, rotate in the direction opposite to above.

TORQUE HINGES

DAMPER HINGES

LIFT ASSIST HINGES

DETENT HINGES

CONCEALED HINGES

BUTT HINGES

PIANO HINGES

STEP HINGES

LIFT-OFF HINGES

PIVOT HINGES

SPRING HINGES

CLEAN ROOM HINGES

HINGES FOR ALUMINIUM FRAME

DROP HINGES

GLASS DOOR HINGES

SPECIAL HINGES

DAMPER HINGE HG-JHW16S



Passed 70,000 open/close private cycle test



- Surface mount type with built-in damper UDH-16S 1
- Covers various torque ranges by using "with damper" and "without damper" as a pair.

[Specifications]

- Operating temperature: 0°C ~40°C

[Applications]

- Top-opening lids and upper covers of various cabinets

[Remarks]

- Be sure to read the "Cautions" 2
- Torque range is the value when using one hinge (when two hinges with identical torque is used for one lid, the value is doubled).
- Install a stopper such as a stay at the lid opening/closing position (0~120 degree or less) for not exceeding the specified swivelling range.
- When installing, ensure that both hinge shafts are levelled and aligned.
- Do not disassemble or modify the product.

[Recommended Screws]

- M5 hexagon socket head cap screws (4 pcs)
- Washers 5 (4 pcs)

Video Link



Selection Tool
Sasuga-kun
 Applicable Products
 Used for Product Selection & Simulation.
 Available on Web!

TORQUE HINGES

DAMPER HINGES

LIFT ASSIST HINGES

DETENT HINGES

CONCEALED HINGES

BUTT HINGES

PIANO HINGES

STEP HINGES

LIFT-OFF HINGES

PIVOT HINGES

SPRING HINGES

CLEAN ROOM HINGES

HINGES FOR ALUMINIUM FRAME

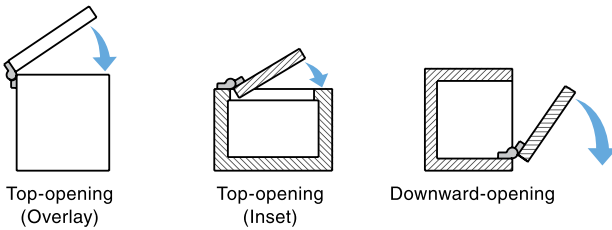
DROP HINGES

GLASS DOOR HINGES

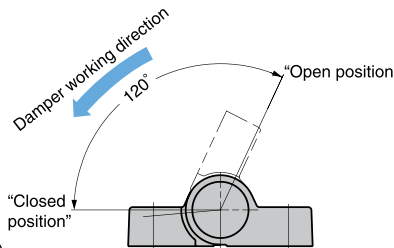
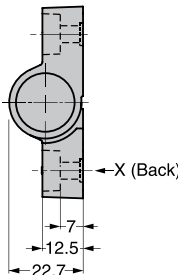
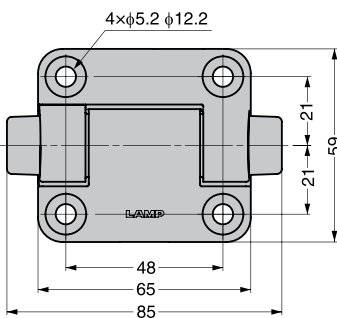
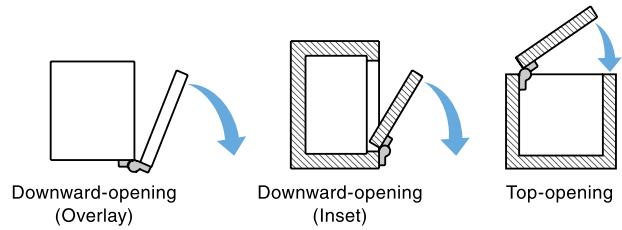
SPECIAL HINGES

[Damper Working Direction]

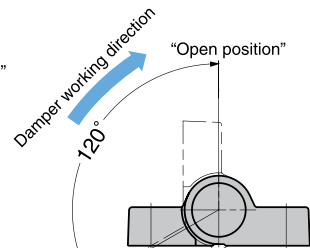
HG-JHW16S



HG-JHW16SG

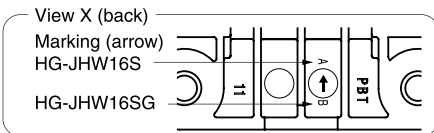


HG-JHW16S



HG-JHW16SG

※"Opening" and "Closing" directions shown above are for the case of external installation.



Material	Finish / Colour
PBT	Emboss/Dark Grey

RoHS	CAD	Item Code	Item Name	Damper Working Direction (When External Installation)	Torque N·m/pc	Torque kgf·cm/pc	Weight (g)	Box (pcs)
RoHS	3D	170-027-420	HG-JHW16S-34	For Closing	2.0~3.4	20.4~34.7	83	30
RoHS	3D	170-027-421	HG-JHW16S-50		3.4~5.0	34.7~51.0		30
RoHS	3D	170-027-422	HG-JHW16S-34G	For Opening	2.0~3.4	20.4~34.7		30
RoHS	3D	170-027-423	HG-JHW16S-50G		3.4~5.0	34.7~51.0		30
RoHS	3D	170-027-419	HG-JHW16S-00	Without Damper	-	-	52	30

Refer to 1 : P.67, 2 : P.15

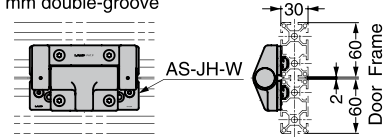
AS Parts Set for Installing to Aluminium Frame

Please refer to the series introduction page 1 for details about AS series.

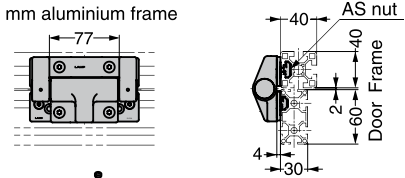


[Dimensions]

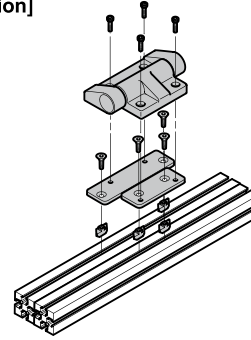
In case of 30x60 mm double-groove aluminium frame



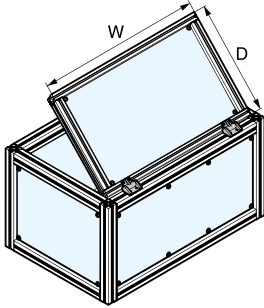
In case of 40x40 mm aluminium frame



[Installation]



[Criterion of Door Weight]



Item Name	W	D	Door Weight kg
HG-JHW50	600	500	3.4
HG-JHW70	1000	500	5

※ In case of using two hinges for one door.

[AS Parts Set] Parts set of brackets, screws and AS nuts used for installing to aluminium frame.

RoHS	CAD	Item Code	Item Name	Aluminium Frame	Parts	Weight (g)
Green	-	170-041-554	AS-HG-JHW50-30-8	Groove Width 8 mm	Damper Hinge HG-JHW50 : 1pc Bracket AS-JH-W : 2pcs AS Nut AS-8M5 : 4pcs Hexagon Socket Head Cap Screw M5 x 8 : 4pcs Hexagon Socket Countersunk Head Screw M5 x 12 : 4pcs	-
Green	-	170-041-555	AS-HG-JHW70-30-8		Damper Hinge HG-JHW70 : 1pc Bracket AS-JH-W : 2pcs AS Nut AS-8M5 : 4pcs Hexagon Socket Head Cap Screw M5 x 8 : 4pcs Hexagon Socket Countersunk Head Screw M5 x 12 : 4pcs	-
Green	-	170-041-556	AS-HG-JHW50-40-10-30-8	Groove Width 8 mm Groove Width 10 mm	Damper Hinge HG-JHW50 : 1pc Bracket AS-JH-W : 2pcs AS Nut AS-8M5 : 2pcs AS Nut AS-10M5 : 2pcs Hexagon Socket Head Cap Screw M5 x 8 : 4pcs Hexagon Socket Head Cap Screw M5 x 12 : 4pcs	-
Green	-	170-041-557	AS-HG-JHW70-40-10-30-8		Damper Hinge HG-JHW70 : 1pc Bracket AS-JH-W : 2pcs AS Nut AS-8M5 : 2pcs AS Nut AS-10M5 : 2pcs Hexagon Socket Head Cap Screw M5 x 8 : 4pcs Hexagon Socket Head Cap Screw M5 x 12 : 4pcs	-

Refer to 1 : FRONT P.20, 2 : P.50, 3 : P.706, 4 : P.51

TORQUE HINGES

DAMPER HINGES

LIFT ASSIST HINGES

DETENT HINGES

CONCEALED HINGES

BUTT HINGES

PIANO HINGES

STEP HINGES

LIFT-OFF HINGES

PIVOT HINGES

SPRING HINGES

CLEAN ROOM HINGES

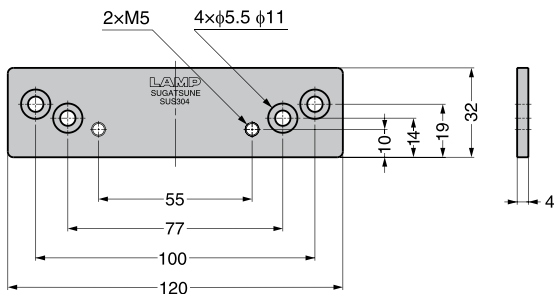
HINGES FOR ALUMINIUM FRAME

DROP HINGES

GLASS DOOR HINGES

SPECIAL HINGES

AS BRACKET FOR HG-JHW AS-JH-W



- Used for installing damper hinge HG-JHW to aluminium frame.
- Use AS nuts for installation.

RoHS	CAD	Item Code	Item Name	Material	Finish	Weight (g)	Box (pcs)	Carton (pcs)
Green	SD	170-090-692	AS-JH-W	Stainless Steel (SUS304)	Barrel Polished	105	25	250

DAMPER HINGE HG-JH



INSTRUCTION



- Hinge with built-in dampers hinge UDH **1**.
- Smooth movement in the opening direction.
- Left-handed...Damper works when rotating counterclockwise.
Right-handed...Damper works when rotating clockwise.
- AS parts set for installing to aluminium frame also available. **2**

[Applications]

- Top-opening lids and upper covers of various cabinets.

[Remarks]

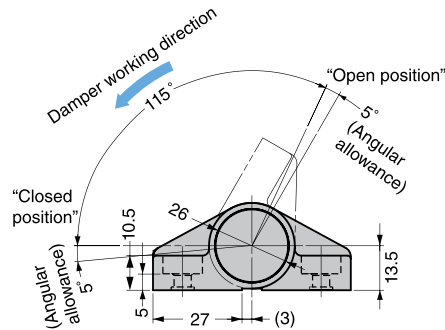
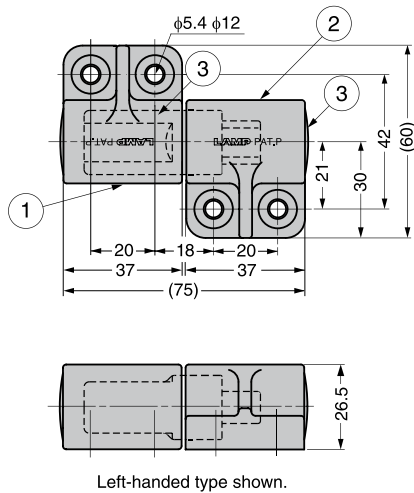
- Be sure to read the "Cautions" **3**.
- Torque range is the value when using two hinges for one door.
- Install a stopper such as a stay at the lid opening/closing position (0~115 degree or less) for not exceeding the specified rotation range.
- When installing, ensure that both hinge shafts are levelled and aligned.
- Sold in pairs.

Selection Tool
Sasuga-kun
 Applicable Products
 Used for Product Selection & Simulation.
 Available on Web!

[Installation]



When viewing door from lower side as shown above, install the left-handed type damper (white) on the left side and the right-handed type (grey) on the right side.



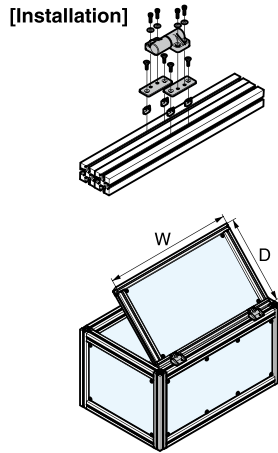
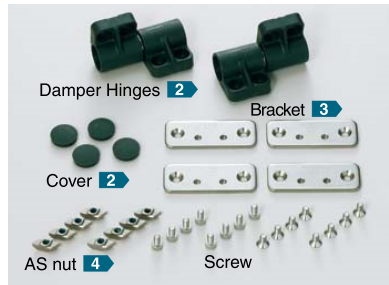
No.	Part Name	Material	Finish / Colour
①	Bracket	PBT	Emboss/Dark Grey
②	Damper		
③	Cap	PP	

RoHS	CAD	Item Code	Item Name	Torque N·m/pair	Torque kgf·cm/pair	Marking Colour (Base Side)	Weight (g)	Box (pairs)	Carton (pairs)
		170-092-209	HG-JH25	3~5	30.6~51	Blue	200	4	64
		170-092-210	HG-JH35	5~7	51~71.4	Red	193	4	64

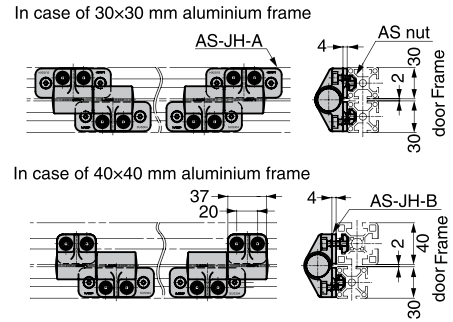
Refer to **1** : P.66, **2** : P.53, **3** : P.15

AS Parts Set for Installing to Aluminium Frame

Please refer to the series introduction page 1 for details about AS series.



[Dimensions]



[Criterion of Door Weights]

Item Name	W	D	Door Weight kg
HG-JH25	400	400	2.3
HG-JH35	700	400	3.2

※ In case of using two hinges for one door.

[AS Parts Set] Parts set of brackets, screws and AS nuts used for installing to aluminium frame.

RoHS	CAD	Item Code	Item Name	Aluminium Frame	Parts	Weight (g)
-	-	170-041-550	AS-HG-JH25-30-8	Groove Width 8 mm	Damper Hinge HG-JH25 : 1set Bracket AS-JH-A : 4pcs AS Nut AS-8M5 : 8pcs M5 x 10 Hexagon Socket Head Cap Screw : 8pcs M5 x 12 Hexagon Socket Countersunk Head Screw : 8pcs M5 Washers (size 5) : 8pcs	-
-	-	170-041-551	AS-HG-JH35-30-8		Damper Hinge HG-JH35 : 1set Bracket AS-JH-A : 4pcs AS Nut AS-8M5 : 8pcs M5 x 10 Hexagon Socket Head Cap Screw : 8pcs M5 x 12 Hexagon Socket Countersunk Head Screw : 8pcs M5 Washers (size 5) : 8pcs	-
-	-	170-041-552	AS-HG-JH25-40-10-30-8	Groove Width 8 mm Groove Width 10 mm	Damper Hinge HG-JH25 : 1set Bracket AS-JH-A : 2pcs Bracket AS-JH-B : 2pcs AS Nut AS-8M5 : 8pcs AS Nut AS-10M5 : 8pcs M5 x 10 Hexagon Socket Head Cap Screw : 4pcs M5 x 20 Hexagon Socket Head Cap Screw : 4pcs M5 x 12 Hexagon Socket Countersunk Head Screw : 4pcs M5 Washers (size 5) : 8pcs	-
-	-	170-041-553	AS-HG-JH35-40-10-30-8		Damper Hinge HG-JH35 : 1set Bracket AS-JH-A : 2pcs Bracket AS-JH-B : 2pcs AS Nut AS-8M5 : 8pcs AS Nut AS-10M5 : 8pcs M5 x 10 Hexagon Socket Head Cap Screw : 4pcs M5 x 20 Hexagon Socket Head Cap Screw : 4pcs M5 x 12 Hexagon Socket Countersunk Head Screw : 4pcs M5 Washers (size 5) : 8pcs	-

Refer to 1 : FRONT P.20, 2 : P.52, 3 : P.53, 4 : P.706

TORQUE HINGES

DAMPER HINGES

LIFT ASSIST HINGES

DETENT HINGES

CONCEALED HINGES

BUTT HINGES

PIANO HINGES

STEP HINGES

LIFT-OFF HINGES

PIVOT HINGES

SPRING HINGES

CLEAN ROOM HINGES

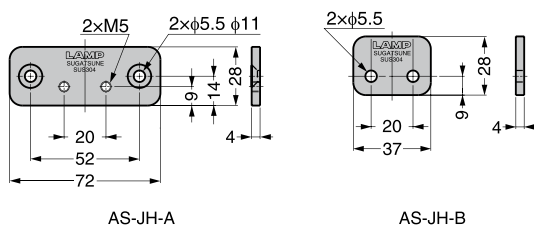
HINGES FOR ALUMINIUM FRAME

DROP HINGES

GLASS DOOR HINGES

SPECIAL HINGES

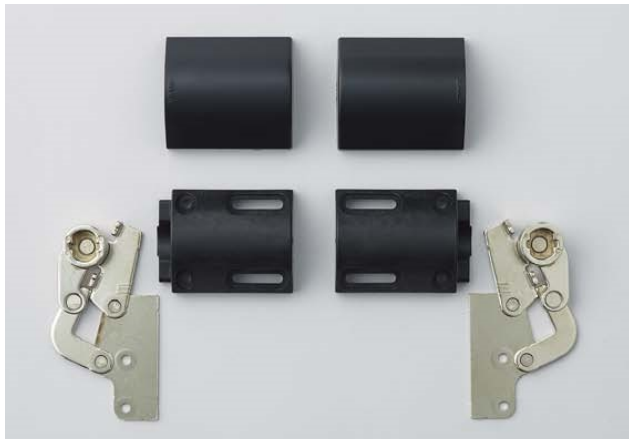
AS BRACKET FOR HG-JH AS-JH



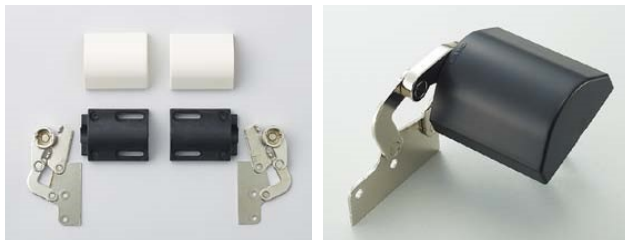
- Used for installing damper hinge HG-JH to aluminium frame.
- Use AS nuts for installation.

RoHS	CAD	Item Code	Item Name	Material	Finish	Weight (g)	Box (pcs)	Carton (pcs)
RoHS	3D	170-090-690	AS-JH-A	Stainless Steel (SUS304)	Barrel Polished	60	50	500
RoHS	3D	170-090-691	AS-JH-B			30	100	1000

DAMPER HINGE HG-JHM20T Surface Mount Type



W/ black cover Sold in pairs.



W/ white cover Assembly example

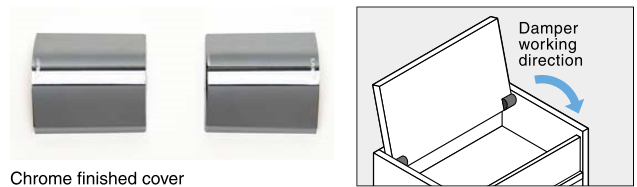
- Newly-added surface mount type: Easy to install without the need of recessing.
- Hinge with built-in damper UDH 1.
- Soft-close and smooth-open features.
- For Inset Lid.
- Cover hides mounting screws.

[Remarks]

- Sold in pairs.
- Below torque range is the value when using a pair of hinges (left and right) per lid.
- Be sure to read the "Cautions" 2.
- When installing, ensure that both hinge shafts are levelled and aligned.
- Damper mechanism works when opening the top-opening lid by about 60° or more. Otherwise, the damper may not work.

[Parts Included]

- Hinge plate mounting screws: binding head tapping screw 3.5 x 14 (nickel) 4 pcs
- Bracket mounting screws: binding head tapping screw 3.5 x 20 (nickel) 8 pcs



Chrome finished cover

No.	Part Name	Material	Finish/Colour
①	Hinge Plate	Steel (SPCC)/Zinc Alloy (ZDC)	Nickel
②	Bracket	POM	Black
③	Cover	ABS	Black/White/Chrome
④	Damper	-	Bearing Right-handed: Grey, Left-handed: Natural

Door thickness	Standard		Chamfered Lid Edge	
	Size A	Gap	Size A	Gap
16	36	4	38	2
18			37	3
20			-	-

[Door Weight Selection]

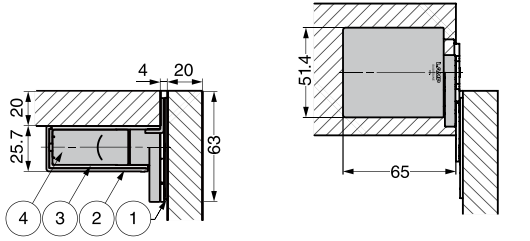
Door Length (D)	Door Weight (m)
250	5.61~7.48 kg
300	4.57~6.09 kg
350	3.85~5.13 kg
400	3.33~4.43 kg
450	2.93~3.90 kg

Selection Tool
Sasuga-kun
 Applicable Products
 Used for Product Selection & Simulation.
 Available on Web!

Video Link

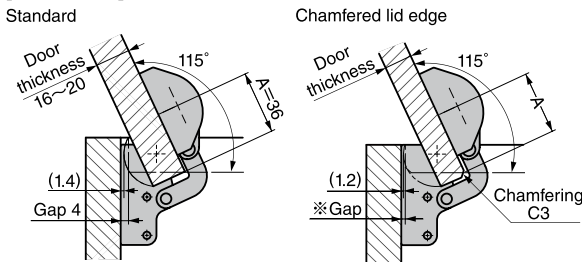
[Front View]

Top-opening lid closed Top-opening lid opened by 90°



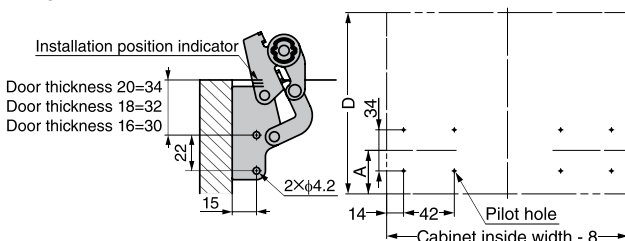
※Right-handed type shown. Left-handed type is symmetrical.

[Installation]



※Gap is decreased compared with standard when chamfered.

[Hinge Plate Installation Position] [Cut Out Dimensions]



■ Calculation of maximum door moment (for homogeneous material)

$$T = m \times 9.80665 \times L \times \frac{1}{1000}$$

T : Max. door torque (N · m)
 m : Door weight (kg)
 L : Distance from rotation centre to door centre of gravity (mm)
 $L = \frac{D}{2} - A + 20$ ※
 D : Door length (mm)
 A : Bracket installation dimension (mm)
 (The range of A is about 36mm ~38mm)
 ※(Formula for assuming that the centre of gravity is in the centre of door)

※For heterogeneous door (e.g., attached with a mirror), please refer to our website > Selection Tool Sasuga-kun > "What is the centre of gravity? What is moment?" page.

RoHS	CAD	Item Code	Item Name	Finish/Colour	Torque N · m/pair	Torque kgf · cm/pair	Marking Colour (Base Side)	Weight (g)	Box (pairs)	Carton (pairs)
Green	3D	170-036-328	HG-JHM20T-80BL	Black	6~8	61.2~81.6	Yellow	-	-	-
Green	3D	170-036-329	HG-JHM20T-80WT	White				-	-	-
Green	3D	170-036-839	HG-JHM20T-80CR	Chrome				-	-	-

Refer to 1 : P.66, 2 : P.15

DAMPER HINGE HG-JHM20



Sold in pairs.

W/ black cover



Sold in pairs.

W/ white cover

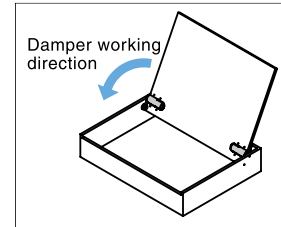
- Hinge with built-in dampers UDH 1
- Smooth movement in the opening direction.
- Mortise mount type.
- Easy to cut out with a router.
- Cover hides mounting screws for clean appearance.

[Remarks]

- Be sure to read the "Cautions" 2
- Sold in pairs.
- When installing, ensure that both hinge shafts are levelled and aligned.
- Damper mechanism works when opening the lid by about 60° or more.

[Parts Included]

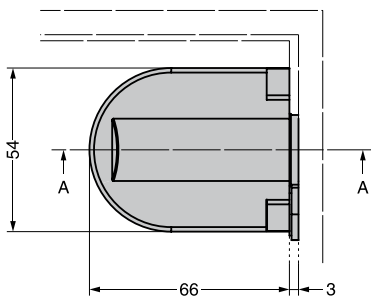
- Countersunk head tapping screw 4 x 20 (For wooden door)



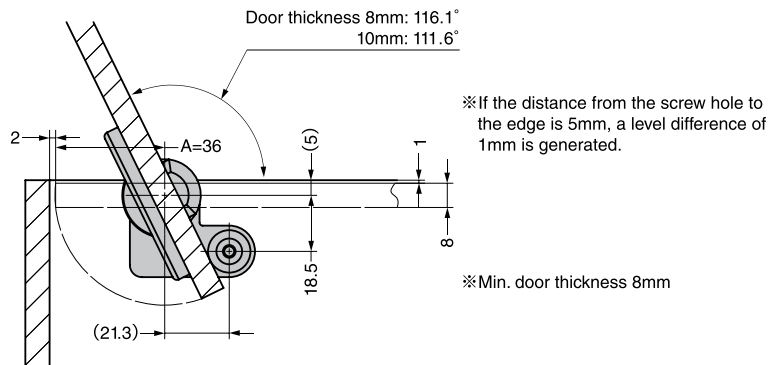
Selection Tool
Sasuga-kun
 Applicable Products
 Used for Product Selection & Simulation.
 Available on Web!

Video Link

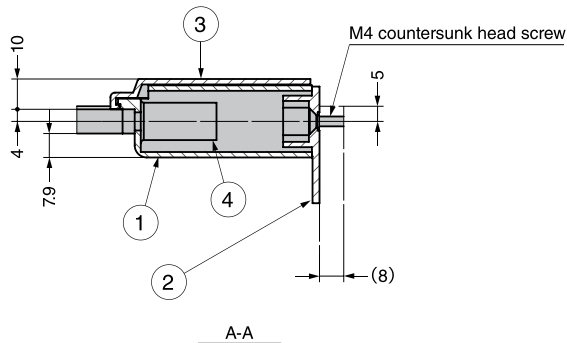
[Top View]



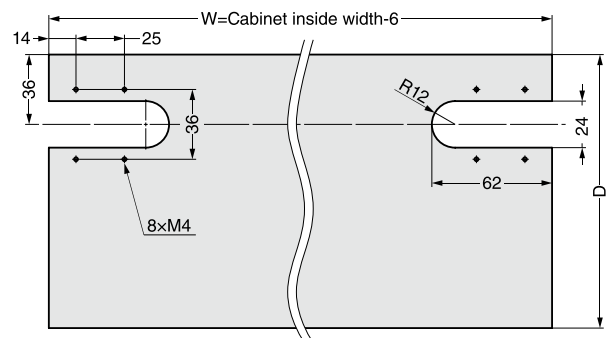
[Installation]



[Cross-section Drawing]



[Cut Out Dimensions]



No.	Part Name	Material	Finish / Colour
①	Body	POM	Black
②	Bracket	Aluminium Alloy (ADC)	Black Enamel Finish
③	Cover	ABS	Black/White
④	Damper	-	-

RoHS	CAD	Item Code	Item Name	Colour	Torque N·m/pair	Torque kgf·cm/pair	Marking Colour (Base Side)	Weight (g)	Box (pairs)	Carton (pairs)
		170-012-854	HG-JHM20-80BL	Black	6~8	61.2~81.6	Yellow	206	-	-
		170-012-855	HG-JHM20-80WT	White				206	-	-

Refer to 1 : P.66, 2 : P.15

TORQUE HINGES

DAMPER HINGES

LIFT ASSIST HINGES

DETENT HINGES

CONCEALED HINGES

BUTT HINGES

PIANO HINGES

STEP HINGES

LIFT-OFF HINGES

PIVOT HINGES

SPRING HINGES

CLEAN ROOM HINGES

HINGES FOR ALUMINIUM FRAME

DROP HINGES

GLASS DOOR HINGES

SPECIAL HINGES

DAMPER HINGE HG-JHM16



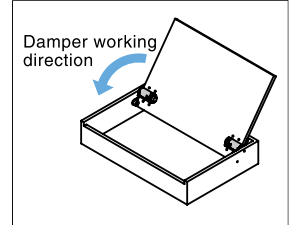
- Hinge with built-in damper UDH-16 1
- Smooth movement in the opening direction.
- Mortise mount type.
- Easy to cut out with a router.
- Cover hides mounting screws for clean appearance.

[Remarks]

- Be sure to read the "Cautions" 2
- Sold in pairs.
- When installing, ensure that both hinge shafts are levelled and aligned.
- Damper mechanism works when opening the lid by about 60° or more.

[Parts Included]

- Countersunk head tapping screw 4 x 20 (For wooden door)



TORQUE HINGES

DAMPER HINGES

LIFT ASSIST HINGES

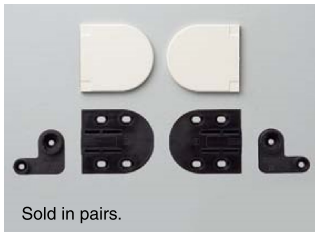
DETENT HINGES

CONCEALED HINGES

BUTT HINGES

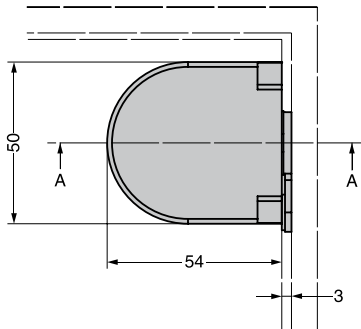
PIANO HINGES

W/ black cover

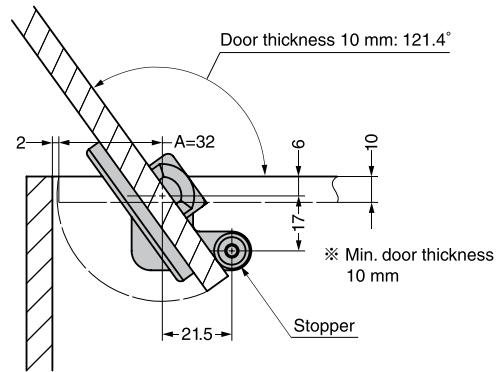


W/ white cover

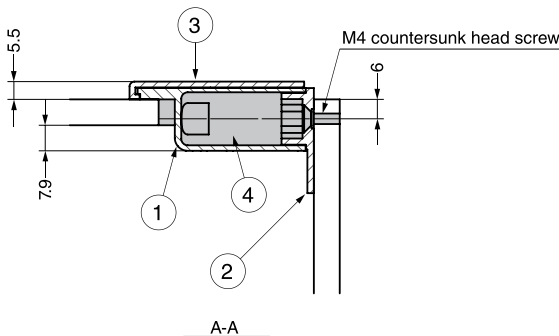
[Top View]



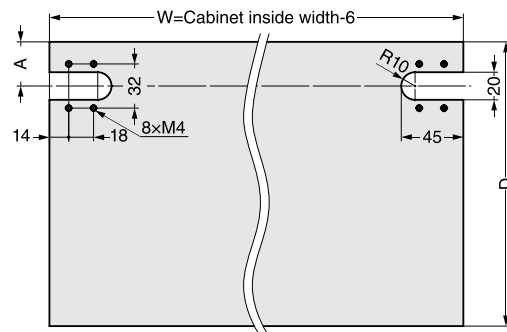
[Installation]



[Cross-section Drawing]



[Cut Out Dimensions]

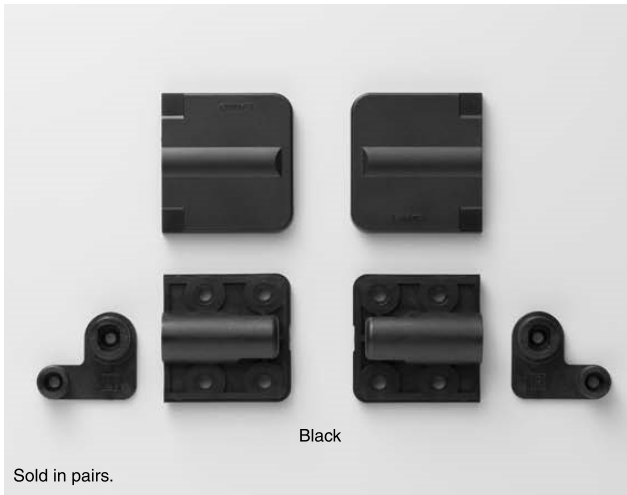


No.	Part Name	Material	Finish / Colour
①	Body	POM	Black
②	Bracket	Aluminium Alloy (ADC)	Black Enamel Finish
③	Cover	ABS	Black/White
④	Damper	-	-

RoHS	CAD	Item Code	Item Name	Colour	Torque N·m/pair	Torque kgf·cm/pair	Marking Colour (Base Side)	Weight (g)	Box (pairs)	Carton (pairs)
		170-092-221	HG-JHM16-34BL	Black	2~3.4	20.4~34.7	Green	126	-	-
		170-092-222	HG-JHM16-34WT	White				126	-	-
		170-092-223	HG-JHM16-50BL	Black	3.4~5	34.7~51	Black	126	-	-
		170-092-224	HG-JHM16-50WT	White				126	-	-

Refer to 1 : P.67, 2 : P.15

DAMPER HINGE HG-JHM14



- Hinge with built-in damper UDH-14 **1**.
- Smooth movement in the opening direction.
- Cover hides mounting screws for clean appearance.
- Easy to cut out with a router.

[Specification]

- Operating temperature: 0°C ~40°C

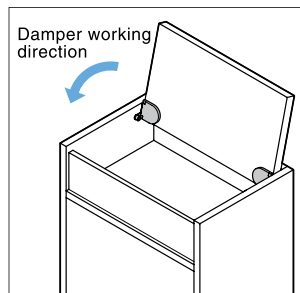
[Remarks]

- Be sure to read the "Cautions" **2**.
- The installation example in the Manual Instruction is for wooden lid.
- Sold in pairs.
- When installing, ensure that both hinge shafts are levelled and aligned.
- Damper mechanism works when opening the lid by about 60° or more.

[Sold Separately]

- Bracket for under mount (UKZ14) also available **3**.

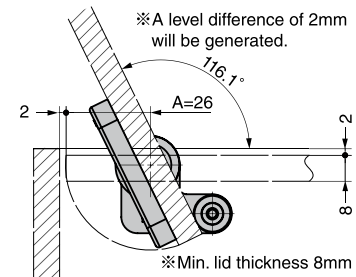
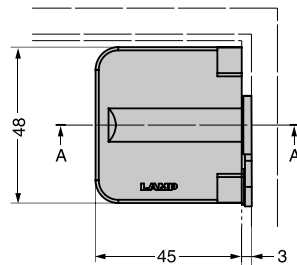
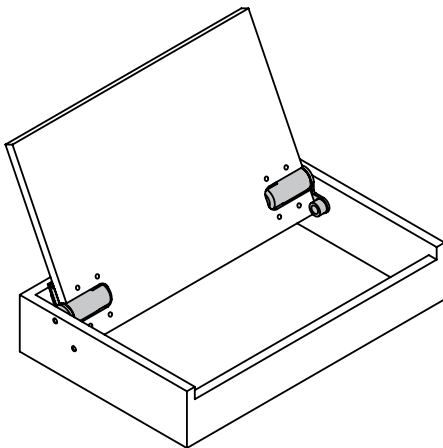
Selection Tool
Sasuga-kun
 Applicable Products
 Used for Product Selection & Simulation.
 Available on Web!



Side Mount Type

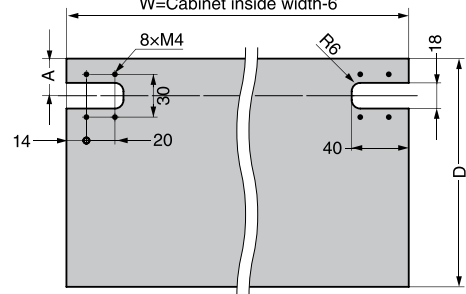
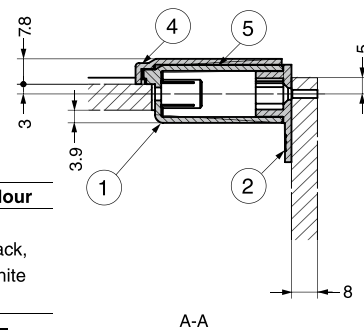
[Top View]

[Installation]



[Cross-section Drawing]

[Cut Out Dimensions]



No.	Part Name	Material	Colour
①	Body	POM	Black, White
②	Bracket for side mount R	Reinforced	
③	Bracket for side mount L	PBT	
④	Cover	ABS	
⑤	Damper	-	-

RoHS	CAD	Item Code	Item Name	Colour	Torque N·m/pair	Torque kgf·cm/pair	Marking Colour	Opening Angle	Weight (g)	Box (pairs)	Carton (pairs)
		170-031-930	HG-JHM14-S-8BL	Black	0.5~0.8	5.1~8.2	Purple	105°	51.4	20	220
		170-031-931	HG-JHM14-S-8WT	White					51.4	20	220
		170-031-932	HG-JHM14-S-15BL	Black	0.8~1.5	8.2~15.3	Blue		51.4	20	220
		170-031-933	HG-JHM14-S-15WT	White					51.4	20	220
		170-031-934	HG-JHM14-S-20BL	Black	1.5~2	15.3~20.4	Green		51.4	20	220
		170-031-935	HG-JHM14-S-20WT	White					51.4	20	220

Refer to **1** : P.68, **2** : P.15, **3** : P.58

TORQUE HINGES

DAMPER HINGES

LIFT ASSIST HINGES

DETENT HINGES

CONCEALED HINGES

BUTT HINGES

PIANO HINGES

STEP HINGES

LIFT-OFF HINGES

PIVOT HINGES

SPRING HINGES

CLEAN ROOM HINGES

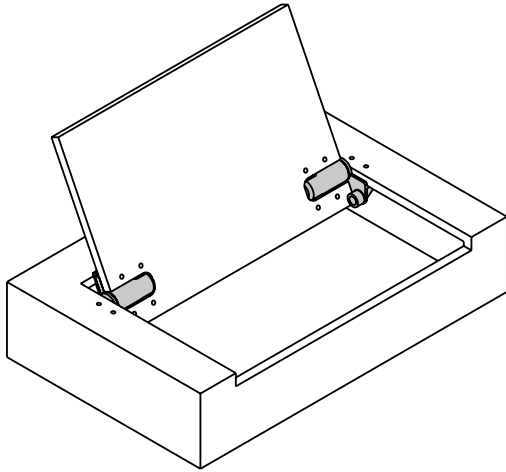
HINGES FOR ALUMINIUM FRAME

DROP HINGES

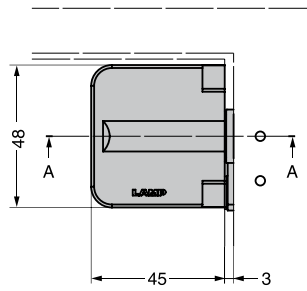
GLASS DOOR HINGES

SPECIAL HINGES

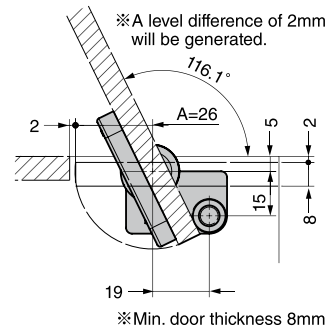
Under Mount Type (optional bracket 1 for under mount is required)



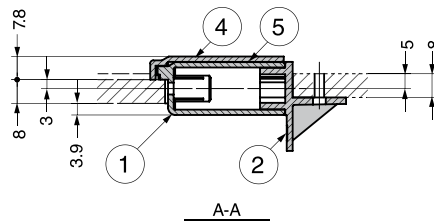
[Top View]



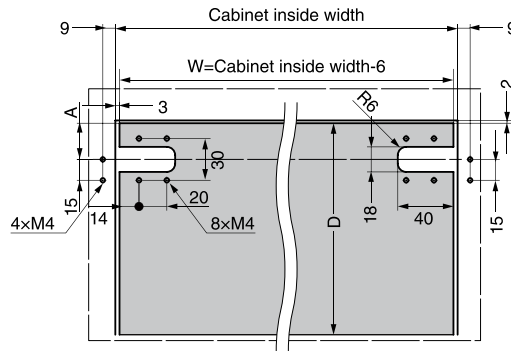
[Installation]



[Cross-section Drawing]



[Cut Out Dimensions]



No.	Part Name	Material	Colour
①	Body	POM	Black, White
②	Bracket for Side Mount R	Reinforced	
③	Bracket for Side Mount L	PBT	
④	Cover	ABS	
⑤	Damper	-	-

Refer to 1 : P.58

BRACKET FOR HG-JHM14 UNDER MOUNT UKZ14

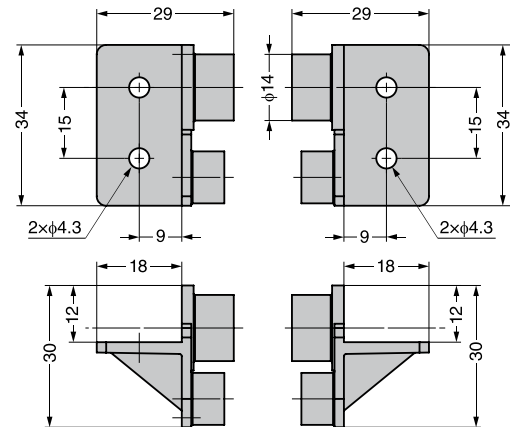
INSTRUCTION



UKZ14-BL



UKZ14-WT



Bracket for under mount L Bracket for under mount R

[Bracket for Under Mount]

RoHS	CAD	Item Code	Item Name	Material	Colour	Weight (g)	Box (pairs)	Carton (pairs)
✓	SD	170-031-936	UKZ14-BL	Reinforced PBT	Black	13	40	440
✓	SD	170-031-937	UKZ14-WT		White	14	40	440

DAMPER HINGE HG-JH14-50 Stainless Steel Bracket



Sold in pairs.

- Hinge with damper UDH-14 **1** with stainless steel bracket.
- Light and smooth opening and soft closing.
- Left-handed...Damper works when rotating counterclockwise.
Right-handed...Damper works when rotating clockwise.
- Low torque type (1.6~3.0N·m) also available by made to order.

[Applications]

- Top-opening lids of various cabinets for soft closing.

[Remarks]

- Be sure to read the "Cautions" **2**.
- Install a stopper such as a stay at the lid opening/closing position (0~115 degree or less) for not exceeding the specified rotation range. Damper may be damaged if exceeding the rotation range.
- When installing, ensure that both hinge shafts are levelled and aligned.
- Sold in pairs.



TORQUE HINGES

DAMPER HINGES

LIFT ASSIST HINGES

DETENT HINGES

CONCEALED HINGES

BUTT HINGES

PIANO HINGES

STEP HINGES

LIFT-OFF HINGES

PIVOT HINGES

SPRING HINGES

CLEAN ROOM HINGES

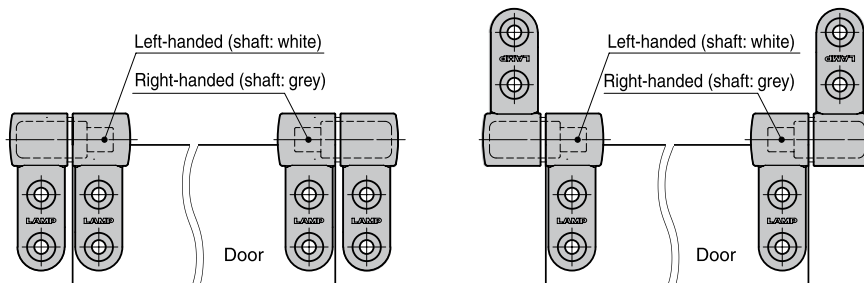
HINGES FOR ALUMINIUM FRAME

DROP HINGES

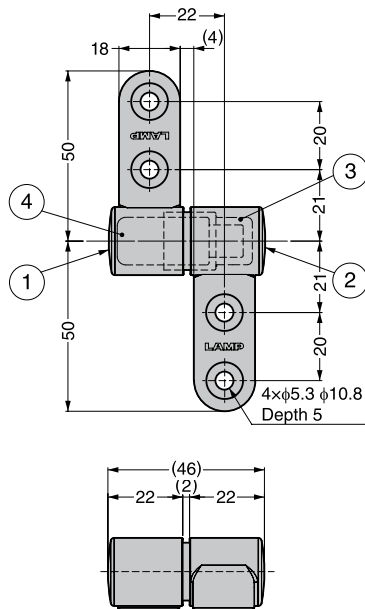
GLASS DOOR HINGES

SPECIAL HINGES

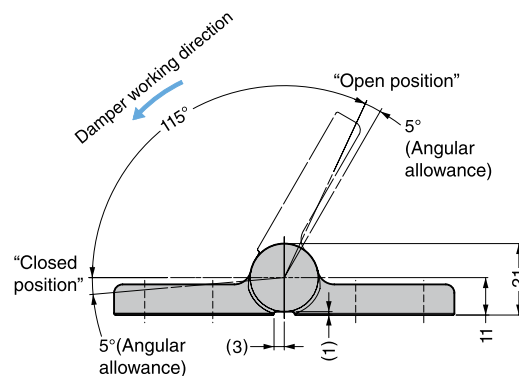
[Installation]



When viewing door from lower side as shown above, install the left-handed type damper (white) on the left side and the right-handed type (grey) on the right side.



Left-handed type shown.



No.	Part Name	Material	Finish / Colour
①	Bracket (L)	Stainless Steel (SCS13)	Mirror
②	Bracket (R)		
③	Bush	POM	White
④	Damper	Stainless Steel/PBT	-

RoHS	CAD	Item Code	Item Name	Torque N·m/pair	Torque kgf·cm/pair	Weight (g/pair)	Box (pairs)	Carton (pairs)
☑	☑	170-021-173	HG-JH14-50	3~5	30.6~51	254	8	48

Refer to **1** : P.68, **2** : P.15

MINI DAMPER HINGE HG-JHM9-S Side Mount

INSTRUCTION

VIDEO



HG-JHM9-S-BL

- Hinge with built-in damper.
- Can be used for top-opening, upward-opening, downward-opening and bottom-opening.
- Under mount type **1** also available.

[Specifications]

- Operating temperature: 0°C~40°C

[Applications]

- Small lid for conference table, small cover of mechanical equipment, etc.

[Remarks]

- Be sure to read the "Cautions" **2**.
- Sold in pairs.
- When installing, ensure that both hinge shafts are levelled and aligned.

[Recommended Screws]

- Countersunk head screw M3, Binding head screw M3, Countersunk head tapping screw 3, Binding head tapping screw 3, etc.

Video Link



Selection Tool

Sasuga-kun

Applicable Products

Used for Product Selection & Simulation.
Available on Web!

TORQUE HINGES

DAMPER HINGES

LIFT ASSIST HINGES

DETENT HINGES

CONCEALED HINGES

BUTT HINGES

PIANO HINGES

STEP HINGES

LIFT-OFF HINGES

PIVOT HINGES

SPRING HINGES

CLEAN ROOM HINGES

HINGES FOR ALUMINIUM FRAME

DROP HINGES

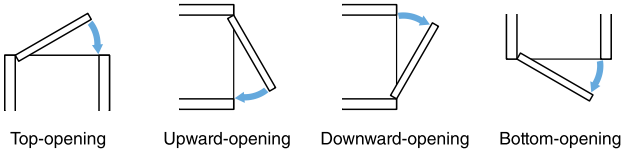
GLASS DOOR HINGES

SPECIAL HINGES

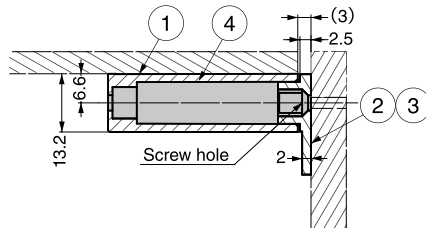
[Application Example]



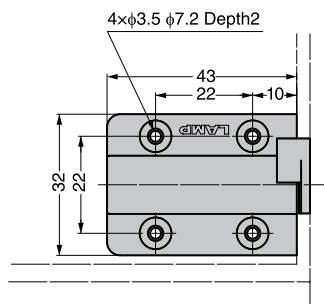
[Damper Working Direction]



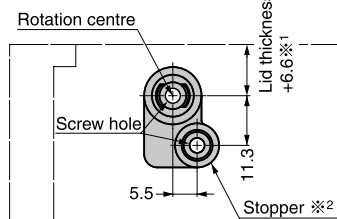
[Front View] Cross-section



[Bottom View]



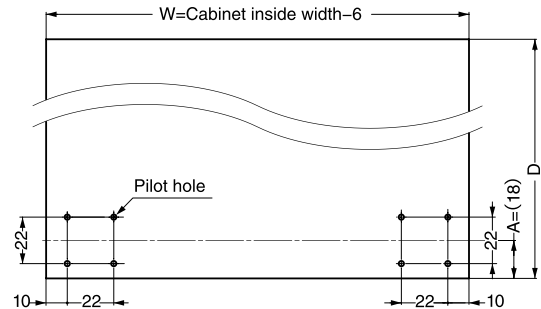
[Installation] Bracket



※¹ Dimension when side board is flush with top surface of lid.

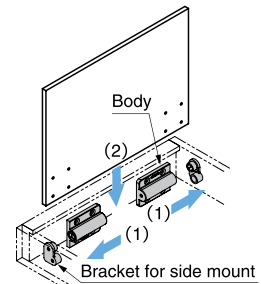
※² To increase the opening angle of lid, rotate the stopper then fix it.

[Cut Out Dimensions]



[How to Install Body and Lid]

- (1) Insert the body into fixed bracket.
- (2) Align mounting holes of lid with the body, and then fix with screws.



No.	Part Name	Material	Colour
①	Body	POM	Black, White
②	Bracket R	PBT	
③	Bracket L		
④	Damper	POM	-

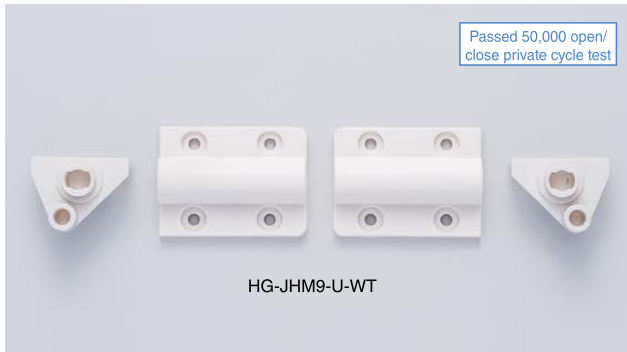
RoHS	CAD	Item Code	Item Name	Colour	Torque N·m/pair	Torque kgf·cm/pair	Opening Angle	Weight (g)	Box (pairs)	Carton (pairs)
		170-025-895	HG-JHM9-S-BL	Black	0.054~0.086	0.55~0.88	105°	29	40	440
		170-025-896	HG-JHM9-S-WT	White				28	40	440
		170-037-326	HG-JHM9-S4-BL	Black	0.027~0.043	0.275~0.44		26	40	440
		170-037-327	HG-JHM9-S4-WT	White				26	40	440

Refer to **1** : P.61, **2** : P.15

MINI DAMPER HINGE HG-JHM9-U Under Mount

INSTRUCTION

VIDEO



HG-JHM9-U-WT

- Hinge with built-in damper.
- Can be used for top-opening, upward-opening, downward-opening and bottom-opening.
- Side mount type **1** also available.

[Specifications]

- Operating temperature: 0°C~40°C

[Applications]

- Small lid for conference table, small cover of mechanical equipment, etc.

[Remarks]

- Be sure to read the "Cautions" **2**.
- Sold in pairs.
- When installing, ensure that both hinge shafts are levelled and aligned.

[Recommended Screws]

- Binding head screw M3, Binding head tapping screw 3, etc.

Video Link

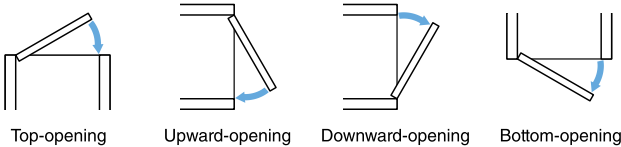


Selection Tool
Sasuga-kun
 Applicable Products
 Used for Product Selection & Simulation.
 Available on Web!

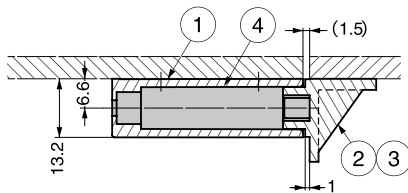
[Application Example] Shown below is HG-JHM9-S **1**



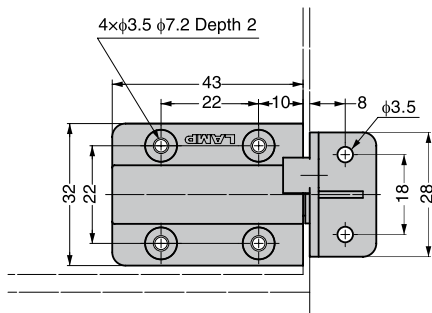
[Damper Working Direction]



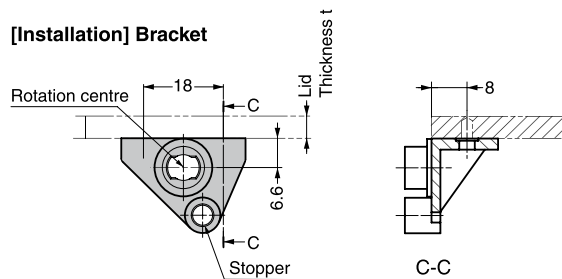
[Front View] Cross-section



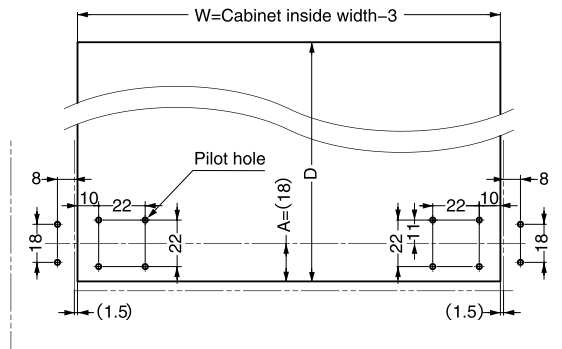
[Bottom View]



[Installation] Bracket

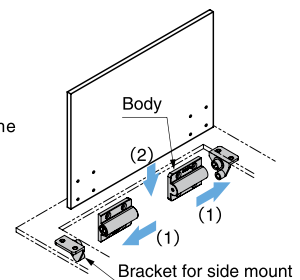


[Cut Out Dimensions]



[How to Install Body and Lid]

- (1) Insert the body into fixed bracket.
- (2) Align mounting holes of lid with the body, and then fix with screws.



No.	Part Name	Material	Colour
①	Body	POM	Black, White
②	Bracket R	PBT	
③	Bracket L		
④	Damper	POM	-

RoHS	CAD	Item Code	Item Name	Colour	Torque N·m/pair	Torque kgf·cm/pair	Opening Angle	Weight (g)	Box (pairs)	Carton (pairs)
		170-025-897	HG-JHM9-U-BL	Black	0.054~0.086	0.55~0.88	105°	31	35	385
		170-025-898	HG-JHM9-U-WT	White				31	35	385
		170-037-328	HG-JHM9-U4-BL	Black	0.027~0.043	0.275~0.44		28	35	385
		170-037-329	HG-JHM9-U4-WT	White				28	35	385

Refer to **1** : P.60. **2** : P.15

TORQUE HINGES

DAMPER HINGES

LIFT ASSIST HINGES

DETENT HINGES

CONCEALED HINGES

BUTT HINGES

PIANO HINGES

STEP HINGES

LIFT-OFF HINGES

PIVOT HINGES

SPRING HINGES

CLEAN ROOM HINGES

HINGES FOR ALUMINIUM FRAME

DROP HINGES

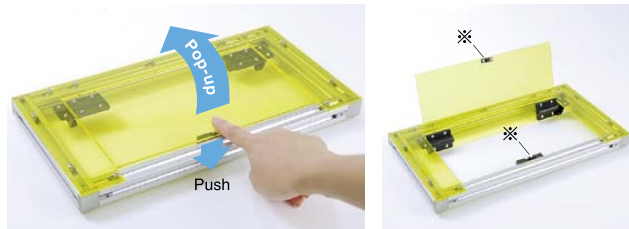
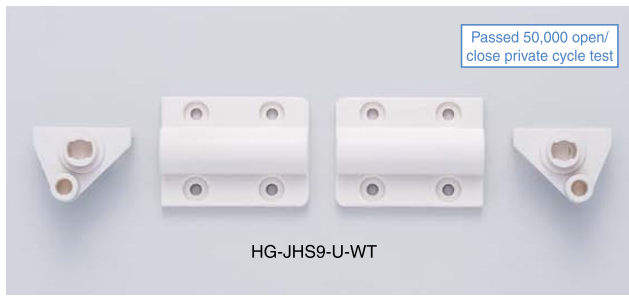
GLASS DOOR HINGES

SPECIAL HINGES

SELF-OPEN MINI DAMPER HINGE HG-JHS9-U Under Mount

INSTRUCTION

VIDEO



※: Optional push latch ESN-195/BLK 1 .

- Small damper hinge with self-opening function for top-opening lids. Using with a push latch 1 enables pop-up function of the lid.
- Inset type.
- Opening speed is adjustable with a hex key.
- Side mount type 2 also available.

[Specifications]

- Operating temperature: 0°C ~40°C

[Applications]

- Small lid for conference table, small cover of mechanical equipment, etc.

[Remarks]

- Be sure to read the "Cautions" 3 .
- Sold in pairs.
- Make sure to mount spring unit at L side of the body. Check if damper is mounted at R side.
- When installing, ensure that both hinge shafts are levelled and aligned.
- Install a push latch (sold separately) to keep the lid at closed position.

[Recommended Screws]

- Binding head screw M3, Binding head tapping screw 3, etc.

Video Link



TORQUE HINGES

DAMPER HINGES

LIFT ASSIST HINGES

DETENT HINGES

CONCEALED HINGES

BUTT HINGES

PIANO HINGES

STEP HINGES

LIFT-OFF HINGES

PIVOT HINGES

SPRING HINGES

CLEAN ROOM HINGES

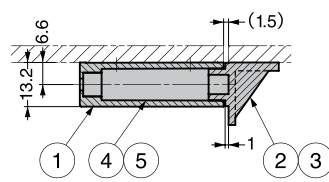
HINGES FOR ALUMINIUM FRAME

DROP HINGES

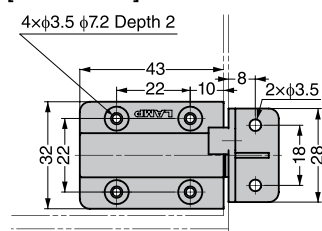
GLASS DOOR HINGES

SPECIAL HINGES

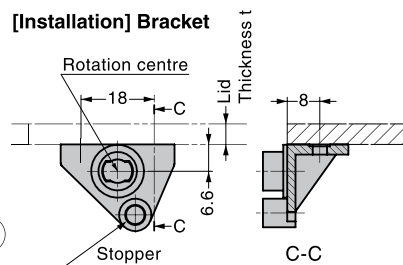
[Front View] Cross-section



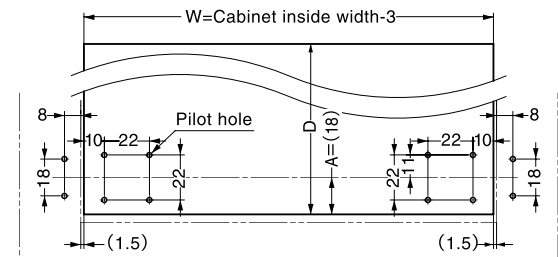
[Bottom View]



[Installation] Bracket

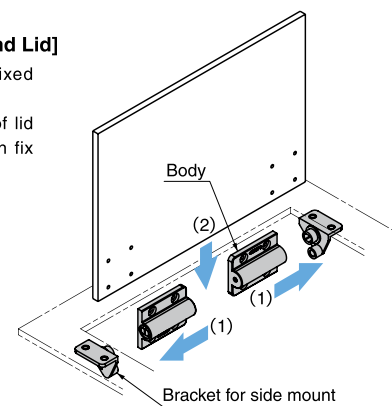


[Cut Out Dimensions]



[How to Install Body and Lid]

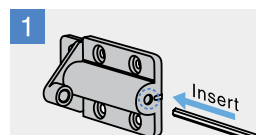
- (1) Insert the body into fixed bracket.
- (2) Align mounting holes of lid with the body, and then fix with screws.



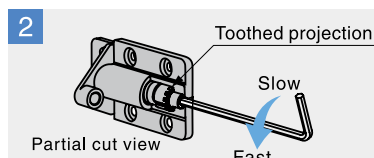
No.	Part Name	Material	Colour
①	Body	POM	Black, White
②	Bracket R	PBT	
③	Bracket L		
④	Damper (R side)	POM	-
⑤	Spring Unit (L side)	Zinc Alloy (ZDC) /Stainless Steel	Chromate/-

[Adjustment of Lid Opening Speed]

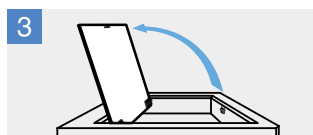
When increasing lid opening speed



Insert a hex key (size 2.5) into the hole of spring unit (L side)



Push in the hex key※ until toothed projection is disengaged, while rotating counterclockwise by 30°, and then pull it out.



Close the lid, and check if the lid can be opened smoothly. Repeat steps 1~3 (maximum 1~2 times) if lid opening speed is still slow.

※Make sure to rotate counterclockwise following pushing in the hex key and disengaging the projection. Forced rotation may cause damage.

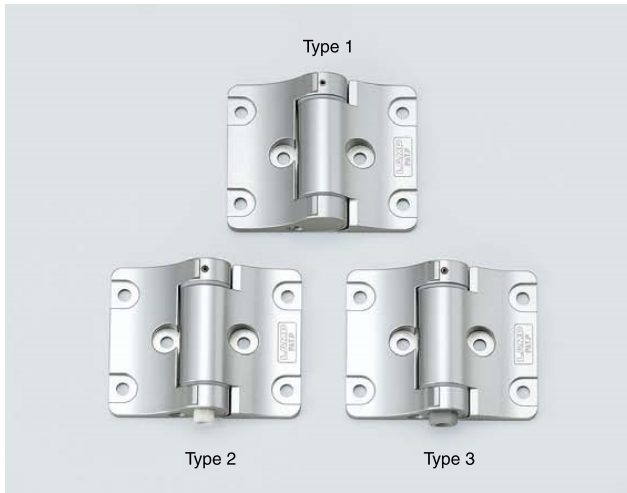
When decreasing lid opening speed (returning to the speed before adjustment)

Loosen the force following the hex key rotating clockwise.

RoHS	CAD	Item Code	Item Name	Colour	Torque N·m/pair	Torque kgf·cm/pair	Opening Angle	Weight (g/pair)	Box (pairs)	Carton (pairs)
☑	3D	170-028-295	HG-JHS9-U-BL	Black	0.027~0.043	0.28~0.44	105°	38	35	385
☑	3D	170-028-296	HG-JHS9-U-WT	White						

Refer to 1 : P.652, 2 : P.62, 3 : P.15

DETENT HINGE HG-CSH63 With Damper



- Detent at both 0° and 100°.
- Also available without damper type.
- Damper works clockwise or counterclockwise.

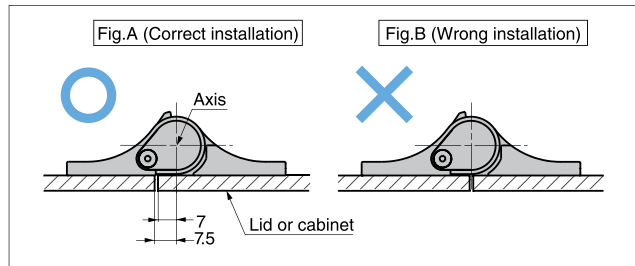
[Applications]

- Carrying box of motorcycle courier, etc.

[Remarks]

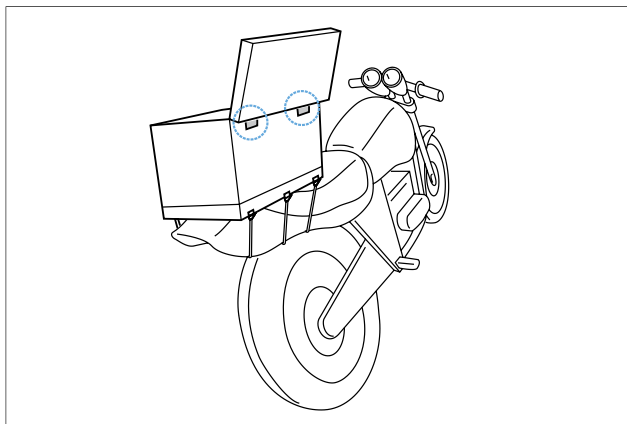
- Be sure to read the "Cautions" 1 .
- When installing, ensure that both hinge shafts are levelled and aligned.
- Torque not adjustable.

[Installation]



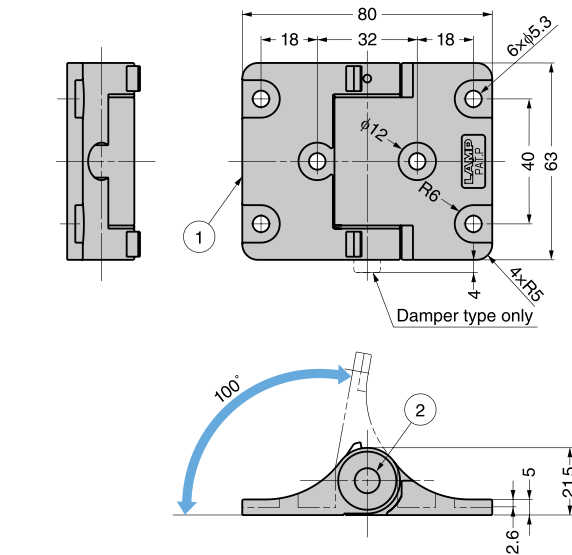
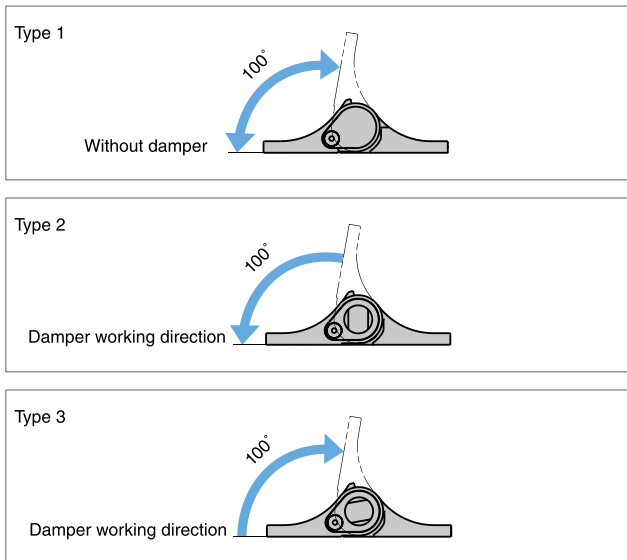
As shown in Fig. A, shift the axis of hinge and the edge of lid or cabinet.

[Installation]



Selection Tool
Sasuga-kun
 Applicable Products
 Used for Product Selection & Simulation.
 Available on Web!

[Types]























No.	Part Name	Material	Finish / Colour
①	Body	Aluminium Alloy	Silver Enamel Finish
②	Shaft · Spring	Stainless Steel (SUS304)	-

RoHS	CAD	Item Code	Item Name	Type	Torque N·m/pc	Torque kgf·cm/pc	Retaining Torque N·m/pc	Retaining Torque kgf·cm/pc	Opening Angle	Weight (g)	Box (pcs)	Carton (pcs)
-	SD	170-090-044	HG-CSH63	1 (Without Damper)	-	-	-	-	-	98.7	10	120
	SD	170-090-109	HG-CSH63AM	2	1~1.7	10.2~17.3	0.98	10	100°	114.3	10	120
	SD	170-090-108	HG-CSH63AH		1.7~2.5	17.3~25.5					10	120
	SD	170-090-111	HG-CSH63BM	3	1~1.7	10.2~17.3	0.98	10	100°		10	120
	SD	170-090-110	HG-CSH63BH		1.7~2.5	17.3~25.5					10	120

Refer to 1 : P.15

TORQUE DAMPER UDH SERIES

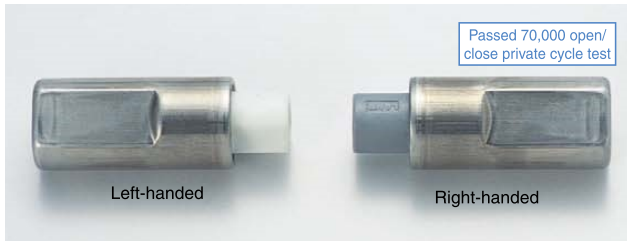
Picture	Item Name	Diameter	Length	Damping direction	Torque	Page
	UDH-A	20mm	55mm		150 - 400N·cm	P.66
	UDH-B	20mm	55mm		150 - 400N·cm	P.66
	UDH16N-A	16mm	51mm		170 - 300N·cm	P.68
	UDH16N-B	16mm	51mm		170 - 300N·cm	P.68
	UDH16-A	16mm	37mm		100 - 250N·cm	P.67
	UDH16-B	16mm	37mm		100 - 250N·cm	P.67
	UDH16S-A	16mm	37mm		100 - 250N·cm	P.67
	UDH16S-B	16mm	37mm		100 - 250N·cm	P.67
	UDH14-A	14mm	37mm		50 - 200·cm	P.68
	UDH14-B	14mm	37mm		50 - 200·cm	P.68

TORQUE
HINGESDAMPER
HINGESLIFT
ASSIST
HINGESDETENT
HINGESCONCEALED
HINGESBUTT
HINGESPIANO
HINGESSTEP
HINGESLIFT-
OFF
HINGESPIVOT
HINGESSPRING
HINGESCLEAN
ROOM
HINGESHINGES FOR
ALUMINIUM
FRAMEDROP
HINGESGLASS
DOOR
HINGESSPECIAL
HINGES

TORQUE DAMPERS

Item Name	Torque (N.cm)	Torque range (N.cm)																Page							
		40	60	80	100	120	140	160	180	200	220	240	260	280	300	320	340		360	380	400				
UDD-S	50 - 100		■	■	■	■																			P.70
UDD-M	100 - 200				■	■	■	■	■	■	■														P.70
UDD-H	200 - 300								■	■	■	■	■	■											P.70
UDH-M	150 - 250									■	■	■	■	■	■										P.66
UDH-H	250 - 350												■	■	■	■	■	■							P.66
UDH-G	300 - 400																■	■	■	■	■	■			P.66
UDH16N-M	170 - 240																								P.68
UDH16N-H	220 - 300																								P.68
UDH16-M	100 - 170																								P.67
UDH16-H	150 - 250																								P.67
UDH16S-M	100 - 170																								P.67
UDH16S-H	150 - 250																								P.67
UDH14-T	150 - 200																								P.68
UDH14-M	80 - 150																								P.68
UDH-14L	50 - 80																								P.68

TORQUE DAMPER UDH



- Patented technology allows compact design.
- Can be used as a single unit.
- Keeps lids / doors from slamming shut.
- With marking colour at the body to recognise the torque moment. Refer to the following for details.
- Ideal for applications requiring flap slow down. Helps prevent noise and impact.
- Standard and progressive models available.

Video Link



[Application Example]



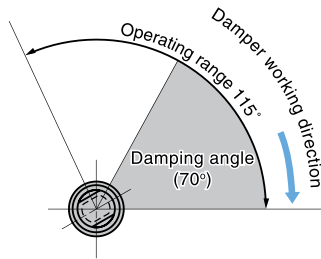
[Applications]

- Toilet seat / lid, cover for maintenance, etc.

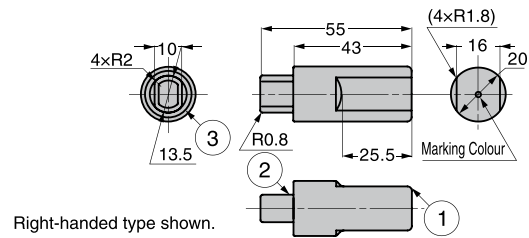
[Remarks]

- When mounting on sheet metal, ensure the edge of the plate is rounded to prevent damage to the damper.
- Do not apply and vertical load on the shaft.

Damper Operating Angle

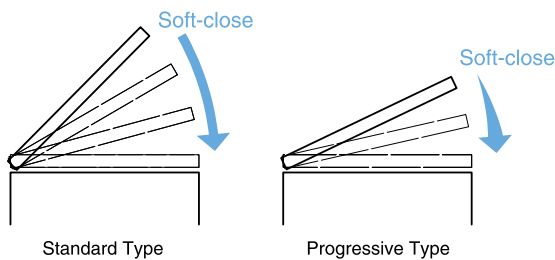


Right-handed: damper works when the shaft is turned clockwise (this figure)
 Left-handed: damper works when the shaft is turned counterclockwise (symmetrical to this figure)

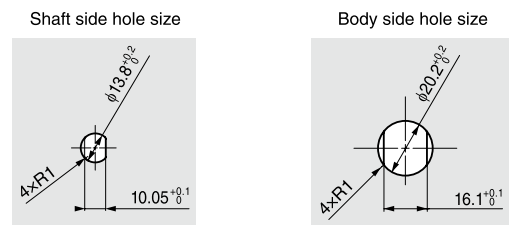


Right-handed type shown.

[Difference Between Standard Type and Progressive Type]



[Cut Out Dimensions]



No.	Part Name	Material	Colour
①	Body	Stainless Steel	—
②	Shaft	PBT	Left-handed: Natural, Right-handed: Grey
③	Cover Ring	Black	—

[Standard Type]

RoHS	CAD	Item Code	Item Name	Type	Damper Working Direction	Marking Colour	Torque N · m/pc	Torque kgf · cm/pc	Weight (g)	Carton (pcs)
		170-090-820	UDH-AMS-G	Left-handed	Counterclockwise	Blue	1.5~2.5	15.3~25.5	38	200
		170-090-822	UDH-BMS-G	Right-handed	Clockwise					200
		170-090-821	UDH-AHS-G	Left-handed	Counterclockwise	Red	2.5~3.5	25.5~35.7		200
		170-090-823	UDH-BHS-G	Right-handed	Clockwise					200
		170-090-824	UDH-AGS-G	Left-handed	Counterclockwise	Yellow	3.0~4.0	30.6~40.8		200
		170-097-955	UDH-BGS-G	Right-handed	Clockwise					200

[Progressive Type]

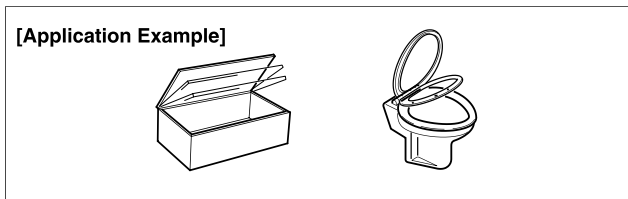
RoHS	CAD	Item Code	Item Name	Type	Damper Working Direction	Marking Colour	Torque N · m/pc	Torque kgf · cm/pc	Weight (g)	Carton (pcs)
		170-090-825	UDH-AMP-G	Left-handed	Counterclockwise	Green	1.5~1.8	15.3~18.4	38	200
		170-090-827	UDH-BMP-G	Right-handed	Clockwise					200
		170-090-826	UDH-AHP-G	Left-handed	Counterclockwise	Black	1.8~3.5	18.4~35.7		200
		170-090-828	UDH-BHP-G	Right-handed	Clockwise					200

TORQUE DAMPER UDH-16



- Patented technology allows compact design.
- Can be used as a single unit.
- Keeps lids / doors from slamming shut.
- Left-handed and right-handed can be distinguished according to the colour of shaft. In addition, slow rotation type changed the shape of shaft.
- With marking colour at the body to recognise the torque moment. Refer to the following for details.
- Ideal for applications requiring flap slow down. Helps prevent noise and impact.
- Standard and progressive models available.

Video Link



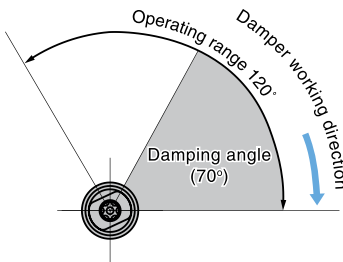
[Applications]

- Toilet seat / lid, cover for maintenance, etc.

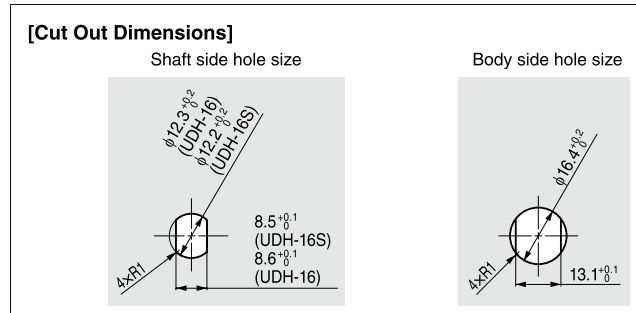
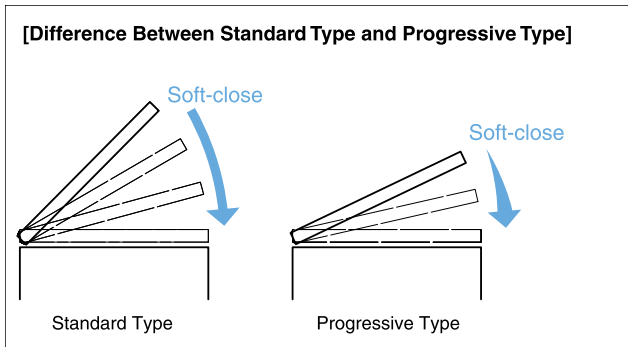
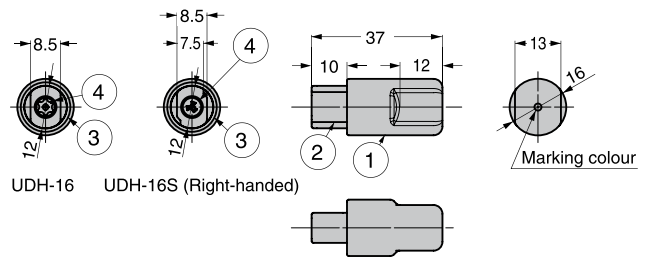
[Remarks]

- When mounting on sheet metal, ensure the edge of the plate is rounded to prevent damage to the damper.
- Do not apply any vertical load on the shaft.

Damper Operating Angle



Right-handed: damper works when the shaft is turned clockwise (this figure)
 Left-handed: damper works when the shaft is turned counterclockwise (symmetrical to this figure)



No.	Part Name	Material	Finish / Colour
①	Body	Stainless Steel	—
②	Shaft	PBT	Left-handed: Natural, Right-handed: Grey
③	Cover Ring		Black
④	Screw	Stainless Steel	—

[Standard Type]

RoHS	CAD	Item Code	Item Name	Type	Damper Working Direction	Marking Colour	Torque N·m/pc	Torque kgf·cm/pc	Weight (g)	Carton (pcs)
CE	SD	170-011-717	UDH-16SAMS	Left-handed	Counterclockwise	Blue	1~1.7	10.2~17.3	16	200
CE	SD	170-011-719	UDH-16SBMS	Right-handed	Clockwise					200
CE	SD	170-011-718	UDH-16SAHS	Left-handed	Counterclockwise	Red	1.7~2.5	17.3~25.5		200
CE	SD	170-011-720	UDH-16SBHS	Right-handed	Clockwise					200

[Progressive Type]

RoHS	CAD	Item Code	Item Name	Type	Damper Working Direction	Marking Colour	Torque N·m/pc	Torque kgf·cm/pc	Weight (g)	Carton (pcs)
CE	SD	170-090-829	UDH-16AMS-G	Left-handed	Counterclockwise	Green	1~1.7	10.2~17.3	16	200
CE	SD	170-090-831	UDH-16BMS-G	Right-handed	Clockwise					200
CE	SD	170-090-830	UDH-16AHS-G	Left-handed	Counterclockwise	Black	1.7~2.5	17.3~25.5		200
CE	SD	170-090-832	UDH-16BHS-G	Right-handed	Clockwise					200

DAMPER HINGES

LIFT ASSIST HINGES

DETENT HINGES

CONCEALED HINGES

BUTT HINGES

PIANO HINGES

STEP HINGES

LIFT-OFF HINGES

PIVOT HINGES

SPRING HINGES

CLEAN ROOM HINGES

HINGES FOR ALUMINIUM FRAME

DROP HINGES

GLASS DOOR HINGES

SPECIAL HINGES

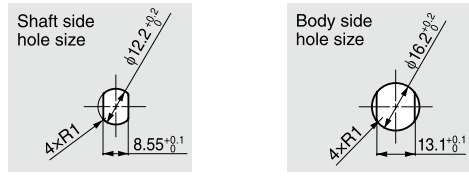
TORQUE DAMPER UDH-16N



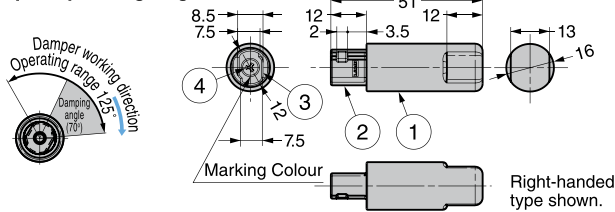
Left-handed

Right-handed

[Cut Out Dimensions]



Damper Operating Angle



Right-handed: damper works when the shaft is turned clockwise (this figure)
Left-handed: damper works when the shaft is turned counterclockwise (symmetrical to this figure)

- Patented technology allows compact design.
- Can be used as a single unit.
- Keeps lids / doors from slamming shut.
- Left-handed and right-handed can be distinguished according to the colour and shape of shaft.
- With marking colour at shaft to recognise the torque moment.
- Ideal for applications requiring flap slow down. Helps prevent noise and impact.

Video Link



[Applications]

- Toilet seat / lid, cover for maintenance, etc.

[Remarks]

- When mounting on sheet metal, ensure the edge of the plate is rounded to prevent damage to the damper.
- Do not apply any vertical load on the shaft.

No.	Part Name	Material	Finish / Colour
①	Body	Stainless Steel	—
②	Shaft	PBT	Left-handed: Natural, Right-handed: Grey
③	Cover Ring	PPS	Black
④	Screw	Stainless Steel	—

RoHS	CAD	Item Code	Item Name	Type	Damper Working Direction	Marking Colour	Torque N·m/pc	Torque kgf·cm/pc	Weight (g)	Carton (pcs)
		170-090-833	UDH-16NAMS	Left-handed	Counterclockwise	Blue	1.7~2.4	17.3~24.5	25	200
		170-090-834	UDH-16NBMS	Right-handed	Clockwise					200
		170-090-835	UDH-16NAHS	Left-handed	Counterclockwise	Red	2.2~3	22.4~30.6		200
		170-090-836	UDH-16NBHS	Right-handed	Clockwise					200

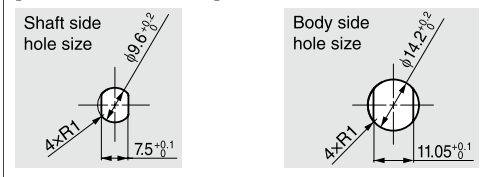
TORQUE DAMPER UDH-14



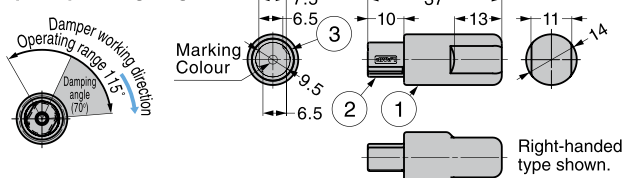
Left-handed

Right-handed

[Cut Out Dimensions]



Damper Operating Angle



Right-handed: damper works when the shaft is turned clockwise (this figure)
Left-handed: damper works when the shaft is turned counterclockwise (symmetrical to this figure)

- Patented technology allows compact design.
- Can be used as a single unit.
- Keeps lids / doors from slamming shut.
- Left-handed and right-handed can be distinguished according to the colour and shape of shaft.
- With marking colour at shaft to recognise the torque moment.
- Excellent in corrosion resistance and rigidity due to stainless steel body.
- Ideal for applications requiring flap slow down. Helps prevent noise and impact.

Video Link



[Applications]

- Toilet seat / lid, cover for maintenance, etc.

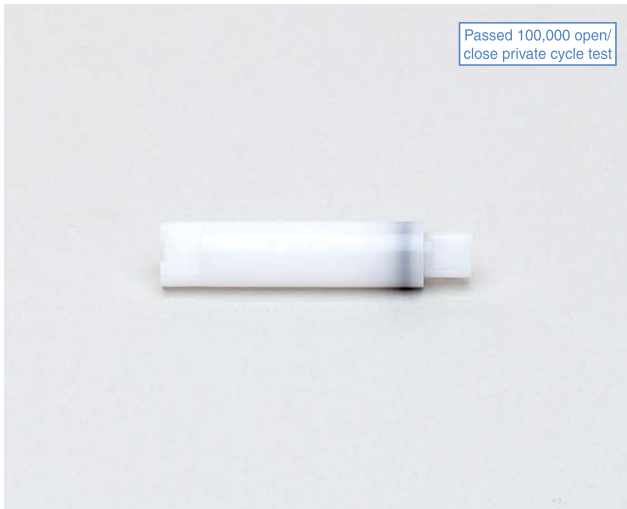
[Remarks]

- When mounting on sheet metal, ensure the edge of the plate is rounded to prevent damage to the damper.
- Do not apply any vertical load on the shaft.

No.	Part Name	Material	Finish / Colour
①	Body	Stainless Steel	—
②	Shaft	PBT	Left-handed: Natural, Right-handed: Grey
③	Cover Ring	POM	Black

RoHS	CAD	Item Code	Item Name	Type	Damper Working Direction	Marking Colour	Torque N·m/pc	Torque kgf·cm/pc	Weight (g)	Box (pcs)
		170-028-472	UDH-14ALS	Left-handed	Counterclockwise	Purple	0.5~0.8	5.1~8.2	10	400
		170-028-473	UDH-14BLS	Right-handed	Clockwise					400
		170-017-538	UDH-14AMS	Left-handed	Counterclockwise	Blue	0.8~1.5	8.2~15.3		400
		170-017-539	UDH-14BMS	Right-handed	Clockwise					400
		170-024-697	UDH-14ATS	Left-handed	Counterclockwise	Green	1.5~2.0	15.3~20.4		400
		170-025-678	UDH-14BTS	Right-handed	Clockwise					400

ROTARY DAMPER URD8-3



- Insert type rotary damper.
- Unlimited rotation angle and rotation direction, suitable for various opening modes. In addition, combining with springs further expands application.
- Small outer diameter realises space-saving and downsizing of equipment.


[Specifications]

- Operating temperature: 0°C ~50°C

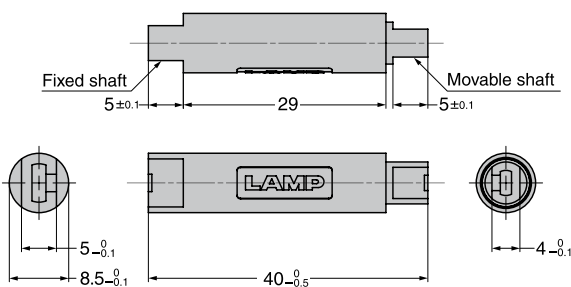
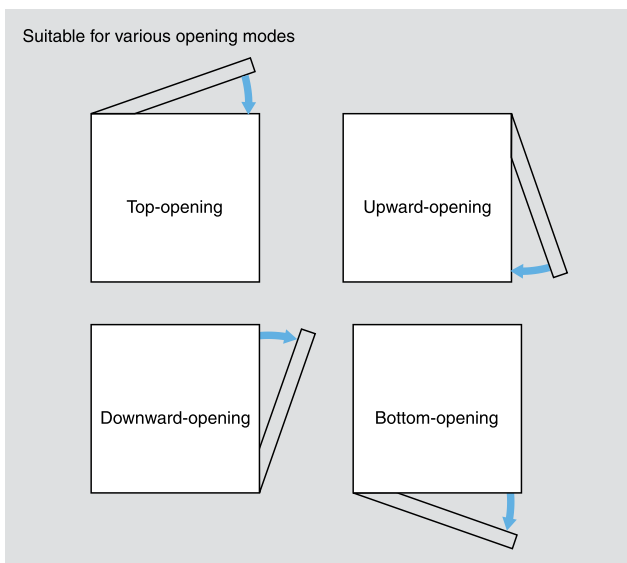
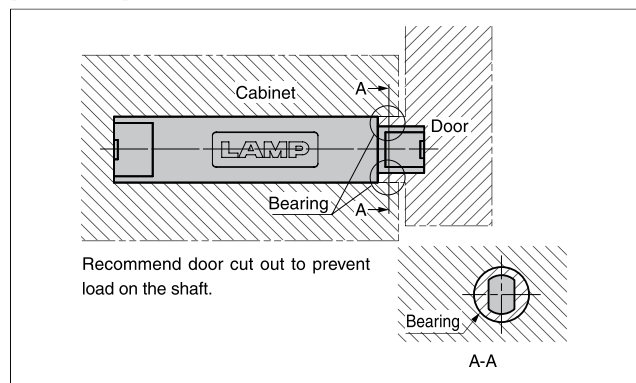
[Applications]

- Switch cover of equipment
- Wire hole cover of table

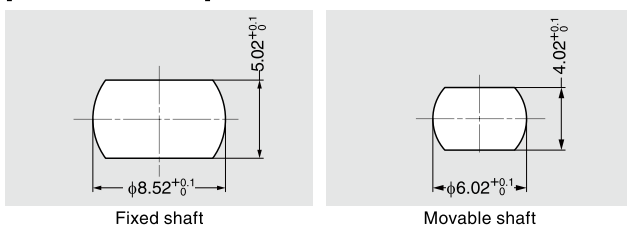
[Remarks]

- Be sure to read the "Cautions" .
- Measurement conditions of torque value: ambient temperature 23°C, rotation speed 20rpm.
- For use beyond the operating temperature range above, please contact local representatives.

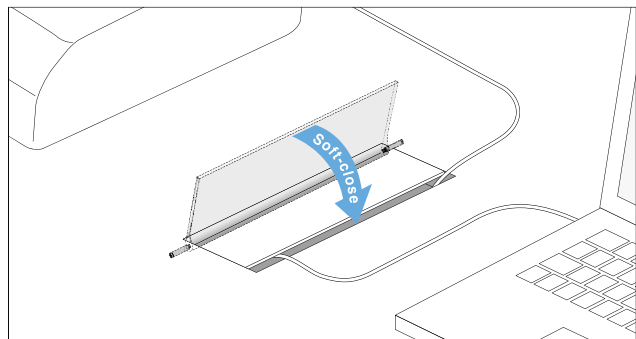
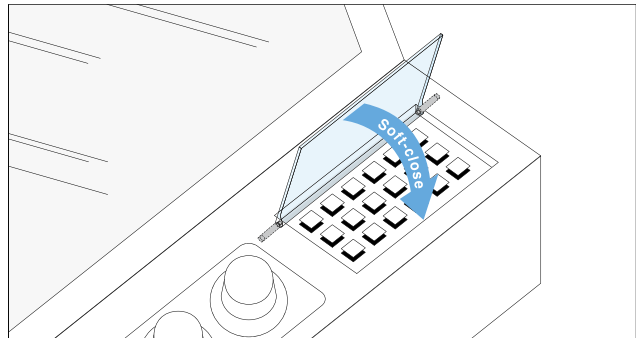
[Installation]






[Cut Out Dimensions]



[Application Example]



RoHS	CAD	Item Code	Item Name	Material	Colour	Torque N·m/pc	Torque kgf·cm/pc	Weight (g)	Box (pcs)	Carton (pcs)
		170-026-907	URD8-3	POM	Natural	0.022~0.038	0.22~0.39	2.5	100	2000

Refer to  : P.15.

TORQUE
HINGES

DAMPER
HINGES

LIFT
ASSIST
HINGES

DETENT
HINGES

CONCEALED
HINGES

BUTT
HINGES

PIANO
HINGES

STEP
HINGES

LIFT-
OFF
HINGES

PIVOT
HINGES

SPRING
HINGES

CLEAN
ROOM
HINGES

HINGES FOR
ALUMINIUM
FRAME

DROP
HINGES

GLASS
DOOR
HINGES

SPECIAL
HINGES

DISK DAMPER UDD®



- Keeps lids/doors from slamming shut.
- Simple design does not affect cabinet appearance.
- Choose from 3 torques according to door size.
- Ideal for food showcase, etc.

[Specifications]

- Operating temperature: 5°C ~35°C

[Remarks]

- Spacer or L-shaped bracket may be required depending on the shape of display.
- Customer should provide spacer according to board thickness in the application below.
- Use types (S, M, H) with identical torque on the left and right sides.
- Use indoors.
- Do not use impact screwdriver for mounting.
- Do not use in water splash environment.
- Use 2 pcs in one set.

TORQUE HINGES

DAMPER HINGES

LIFT ASSIST HINGES

DETENT HINGES

CONCEALED HINGES

BUTT HINGES

PIANO HINGES

STEP HINGES

LIFT-OFF HINGES

PIVOT HINGES

SPRING HINGES

CLEAN ROOM HINGES

HINGES FOR ALUMINIUM FRAME

DROP HINGES

GLASS DOOR HINGES

SPECIAL HINGES

Selection Tool
Sasuga-kun
 Applicable Products
 Used for Product Selection & Simulation.
 Available on Web!

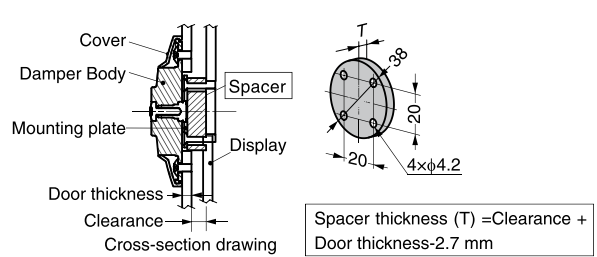
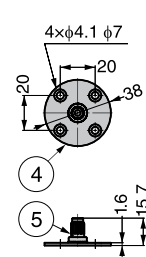
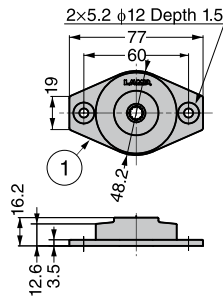
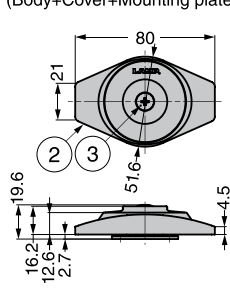
Video Link

[Assembled State]
(Body+Cover+Mounting plate)

[Damper Body]

[Mounting Plate]

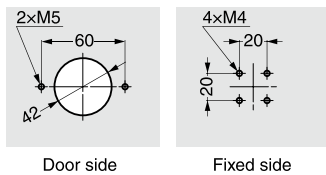
[Spacer]



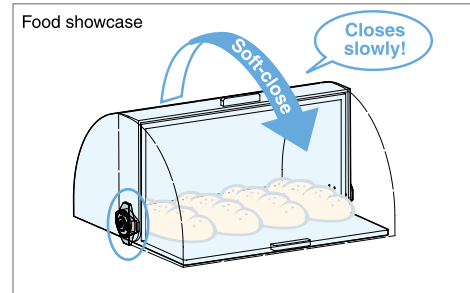
No.	Part Name	Material	Finish / Colour
①	Damper Body	-	-
②	Cover	ABS	Emboss/Light Grey
③	Screw	Steel	Nickel
④	Mounting Plate		
⑤	Shaft		Zinc Chromate

[Cut Out Dimensions]

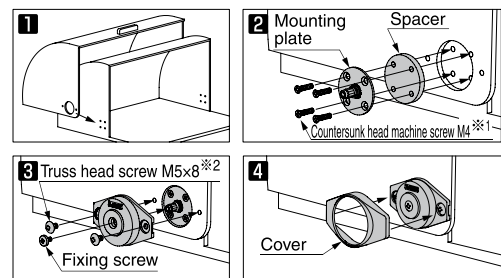
[Damper Working Direction]



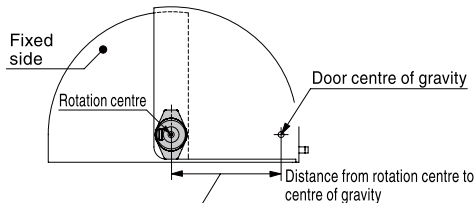
[Application Example]



[How to Install]



※1, ※2 screws not included.
 In case of wooden display, please prepare countersunk head tapping screw 3.5 for ※1, and truss head tapping screw 5x12 for ※2.



Door Moment	Type	Qty
1.0~2.0 N·m	S	2 pcs
2.0~4.0 N·m	M	2 pcs
4.0~6.0 N·m	H	2 pcs

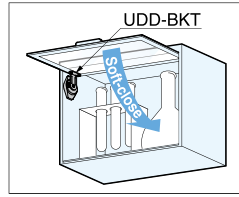
RoHS	CAD	Item Code	Item Name	Damper Working Direction	Torque N·m/pc	Torque kgf·cm/pc	Weight (g)	Box (pcs)	Carton (pcs)
RoHS	CAD	180-022-306	UDD-S-L	Counterclockwise	0.5~1.0	5.1~10.2	90	20	20
RoHS	CAD	180-022-307	UDD-S-R	Clockwise				20	20
RoHS	CAD	180-022-308	UDD-M-L	Counterclockwise	1.0~2.0	10.2~20.4		20	20
RoHS	CAD	180-022-309	UDD-M-R	Clockwise				20	20
RoHS	CAD	180-022-310	UDD-H-L	Counterclockwise	2.0~3.0	20.4~30.6		20	20
RoHS	CAD	180-022-311	UDD-H-R	Clockwise				20	20

BRACKET FOR DISK DAMPER UDD-BKT

L=R SUS



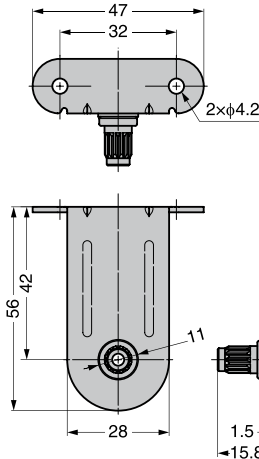
[Application Example]



● Bracket of disk damper UDD 1 for upward-opening doors.

[Remarks]

- Chamfer edge of top board to reduce the gap between the door and top board by referring to Fig.2 and Table 2 (recommended).
- Install a stopper on the cabinet (Fig.3).
- Catch is needed for holding door in opened position.
- Face plate SDS for glass door and spacer SDS-50G 2 available for glass/acrylic doors.



[Installation]

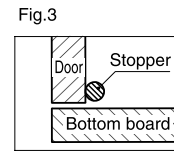
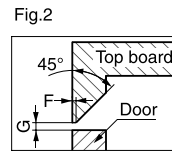
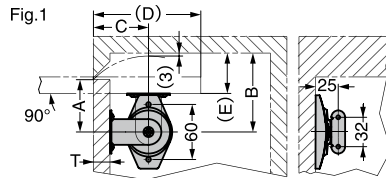


Table 1

No.	Door Thickness T	A	B	C	D	E
①	5	46	70	49	(95)	(26)
②	15	54	82	57	(111)	(40)
③	18	57	86	60	(117)	(44)

Table 2

Chamfering Allowance F	Gap G
1	3
2	4
3	5

※① is the value when using acrylic or glass door with a door thickness of 5 mm, a face plate SDS for glass door, and spacer SDS-50G.
 ②③ are the values when using wooden doors with door thicknesses given in the above table.

RoHS	CAD	Item Code	Item Name	Material	Finish	Weight (g)	Carton (pcs)
		180-026-764	UDD-BKT	Stainless Steel (SUS304)	Plain	33	60

Refer to 1 : P.70, 2 : P.267

LIFT-ASSIST DAMPER LAD®, LAD®-ST DIGEST



- Ideal for the top board of counter entrance.
- Supplied with LAPCON mechanism, damper works during closing and top board slowly closes. Damper works even at a slight opening angle.
- Lift-assist function allows opening the top board easily.
- Can be retrofitted to existing counters without machining.
- Installation position can be easily determined with the supplied template.



Selection Tool
Sasuga-kun
 Applicable Products
 Used for Product Selection & Simulation.
 Available on Web!



LAD 1



LAD-ST (with stopper) 2
 Stops at 95° opening.

Refer to 1 : P.232, 2 : P.230

TORQUE HINGES

DAMPER HINGES

LIFT ASSIST HINGES

DETENT HINGES

CONCEALED HINGES

BUTT HINGES

PIANO HINGES

STEP HINGES

LIFT-OFF HINGES

PIVOT HINGES

SPRING HINGES

CLEAN ROOM HINGES

HINGES FOR ALUMINIUM FRAME

DROP HINGES

GLASS DOOR HINGES

SPECIAL HINGES