



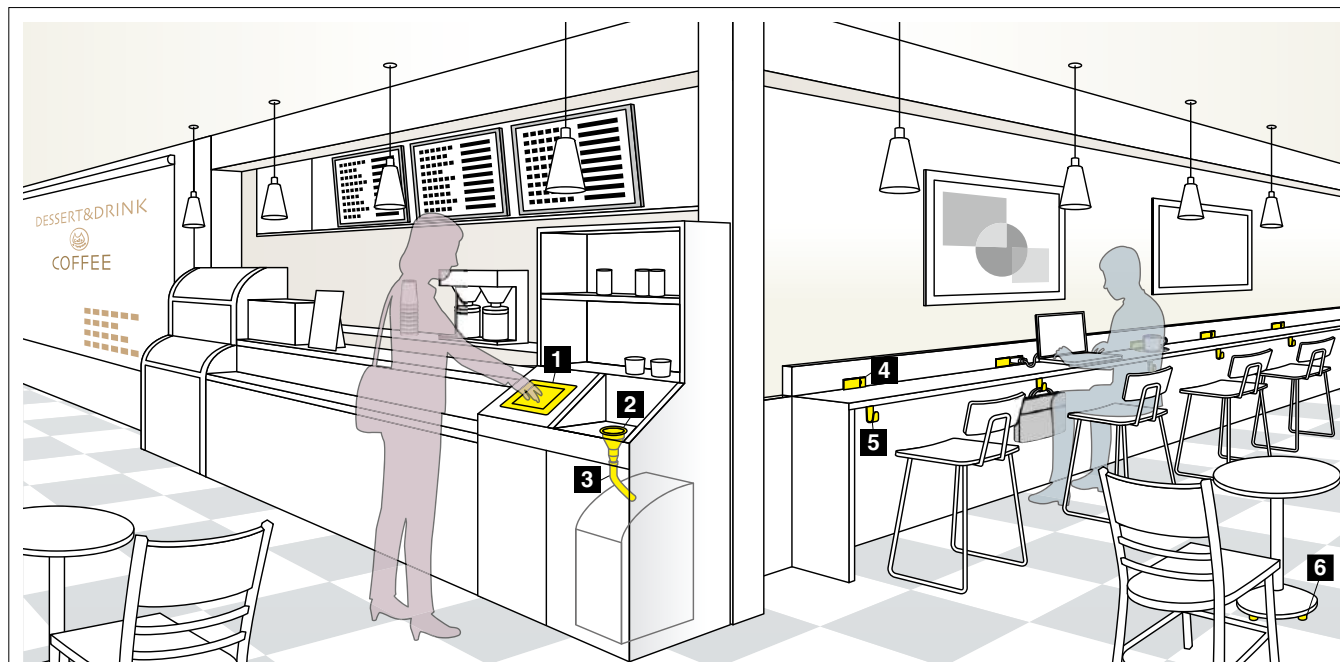
# Multi-Purpose Lids

No.287

Wide range of  
over  
**50** items

**SUGATSUNE**

## ◆ Café / Food Court



**MULTI PURPOSE LID (W/DAMPER) AZ-GD232-HL**

Can be installed between 45-85 degrees.

▶▶▶P.8



**STAINLESS STEEL FUNNEL AE-DH**

Easily installed funnel for leftovers.

▶▶▶P.11



**HOSE FOR AE-DH AE-DH4540-1**

Optional parts for AE-DH.

▶▶▶P.12



**OUTLET COVER FOR USB DMC**

A simple design and chic colour make this ideal for cafes, etc.

▶▶▶Please contact us.



**STAINLESS STEEL HOOK HJ**

Can be installed below the table for hanging bags.

▶▶▶No.240 P.136



**SELF-LEVELING GLIDE SAJ**

Automatically adjusts for uneven flooring with special gel feet.

▶▶▶No.240 P.788

## ◆ Department Store



**MULTI PURPOSE LID (W/DAMPER) AZ-GD**

Wide range available from  $\phi 59$ - $\phi 147$ , with varying finishes.

▶▶▶P.7



**RING AE-DH**

Wide variation available from  $\phi 59$ - $\phi 147$  with different finish.

▶▶▶P.5



**SHELF STANDARD SPE**

Just 3mm thin with a high load capacity.

▶▶▶No.240 P.174



**CABINET LOCK 8810**

Key number is changeable without replacing cylinder.

▶▶▶No.240 P.315



**POINT FIX PE-32YT**

Seamless design with the screw on side to fix glass on the wall.

▶▶▶Please contact us.



**TORQUE HINGE HG-TB**

360° opening angle, suitable for mirrors, monitors and panels.

▶▶▶No.240 P.434

Dimensions Chart

		50mm	100mm	150mm	200mm	250mm	300mm
		Width (Opening Dimensions)					
Without Lid	Top/Side/Diagonal	 NEW	 NEW	 NEW	 NEW	 NEW	 NEW
		 NEW	 NEW	 NEW	 NEW	 NEW	 NEW
With Lid	Top		 NEW	 NEW	 NEW		 NEW
				 NEW			
			 NEW	 NEW	 NEW		
With Lid	Side				 NEW	 NEW	 NEW
						 NEW	 NEW
							 NEW
With Lid	Diagonal	<b>Example</b>  Opening Dimensions: 220x310 Item Name: AZ-GD310-HL Page: P.7 Finish: <ul style="list-style-type: none"> <li>Satin</li> <li>Mirror</li> <li>Gold</li> </ul>				 NEW	 NEW
							 NEW

Refer to P.9 and P.11 for optional parts.

\* = Under development

## MULTI-PURPOSE LID (W/DAMPER)

STAINLESS  
304  
STEEL

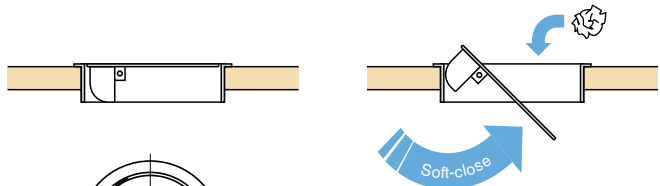
AD-GD



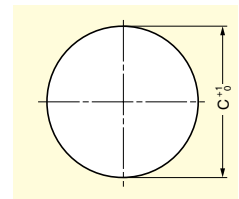
## ■ Features

- Lid equipped with damper.
- Corrosion resistant.
- Wide opening.
- Operating temperature: 0°C ~ 40°C

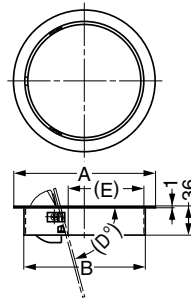
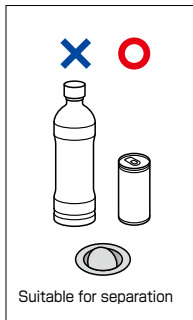
## ■ Installation



## ■ Cut Out Dimensions



## ■ Installation



Item Code	Item Name	Material	Finish	A	B	C	D	E	Weight	Box	Carton
210-029-219	AD-GD011-HL(Old:AD-DH011-HL)	Stainless Steel (SUS304)	Satin	136	106	107	87	62	460 g	1 pc	10 pcs
210-022-107	AD-GD015-HL(Old:AD-DH017-HL)	Stainless Steel (SUS304)	Satin	170	146	147	75	90	1000 g	1 pc	10 pcs



## MULTI-PURPOSE LID

STAINLESS  
304  
STEEL

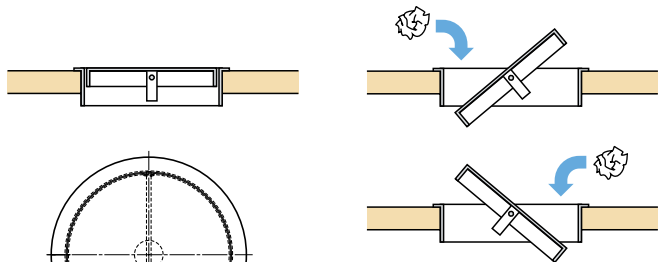
AD-DH015-HL



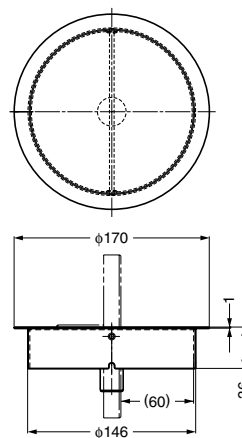
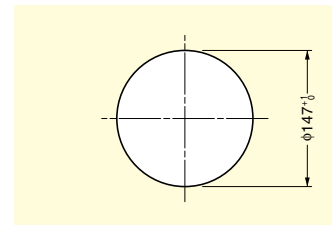
## ■ Features

- 360° rotation.
- Corrosion resistant.

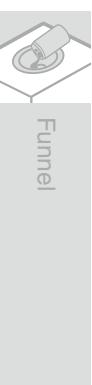
## ■ Installation



## ■ Cut Out Dimensions



Item Code	Item Name	Material	Finish	Weight	Box	Carton
210-170-079	AD-DH015-HL	Stainless Steel (SUS304)	Satin	560 g	1 pc	10 pcs



# RING COVER FOR REFUSE BOX

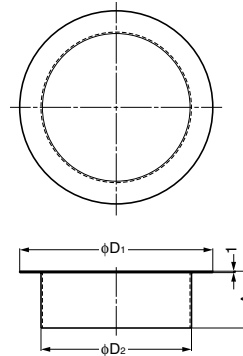
STAINLESS  
304  
STEEL

## AN-DH, AN-LH



### Features

- Corrosion resistant.
- Wide variations (Size/Depth/Finish)

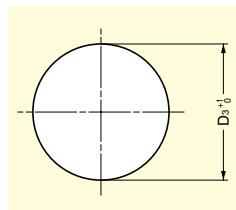


Suitable for separation

### Installation



### Cut Out Dimensions



### AN-DH(DeepType)

Item Code	Item Name	A	D <sub>1</sub>	D <sub>2</sub>	D <sub>3</sub>	Material	Finish	Weight	Box	Carton
210-032-779	AN-DH005-GP	36	82	58	59	Stainless Steel (SUS304)	Gold	66 g	1 pc	100 pcs
210-032-780	AN-DH005-MR					Stainless Steel (SUS304)	Mirror	66 g	1 pc	100 pcs
210-032-781	AN-DH005-HL					Stainless Steel (SUS304)	Satin	66 g	1 pc	100 pcs
210-022-094	AN-DH008-GP	112	82	83	Stainless Steel (SUS304)	Gold+Clear	107 g	1 pc	10 pcs	
210-022-095	AN-DH008-MR				Stainless Steel (SUS304)	Mirror	107 g	1 pc	10 pcs	
210-022-096	AN-DH008-HL				Stainless Steel (SUS304)	Satin	107 g	1 pc	10 pcs	
210-170-078	AN-DH011-GP	40	136	106	107	Stainless Steel (SUS304)	Gold+Clear	137 g	1 pc	10 pcs
210-170-076	AN-DH011-MR					Stainless Steel (SUS304)	Mirror	137 g	1 pc	10 pcs
210-170-077	AN-DH011-HL					Stainless Steel (SUS304)	Satin	137 g	1 pc	10 pcs
210-172-533	AN-DH015-GP	36	170	146	147	Stainless Steel (SUS304)	Gold+Clear	182 g	1 pc	10 pcs
210-172-532	AN-DH015-MR					Stainless Steel (SUS304)	Mirror	182 g	1 pc	10 pcs
210-172-531	AN-DH015-HL					Stainless Steel (SUS304)	Satin	182 g	1 pc	10 pcs

### AN-LH(ShallowType)

Item Code	Item Name	A	D <sub>1</sub>	D <sub>2</sub>	D <sub>3</sub>	Material	Finish	Weight	Box	Carton
210-032-782	AN-LH005-GP	22	82	58	59	Stainless Steel (SUS304)	Gold	50 g	1 pc	100 pcs
210-032-783	AN-LH005-MR					Stainless Steel (SUS304)	Mirror	50 g	1 pc	100 pcs
210-032-784	AN-LH005-HL					Stainless Steel (SUS304)	Satin	50 g	1 pc	100 pcs
210-022-097	AN-LH008-GP	112	82	83	Stainless Steel (SUS304)	Gold+Clear	77 g	1 pc	10 pcs	
210-022-098	AN-LH008-MR				Stainless Steel (SUS304)	Mirror	77 g	1 pc	10 pcs	
210-022-099	AN-LH008-HL				Stainless Steel (SUS304)	Satin	77 g	1 pc	10 pcs	
210-022-100	AN-LH011-GP	136	106	107	Stainless Steel (SUS304)	Gold+Clear	92 g	1 pc	10 pcs	
210-022-101	AN-LH011-MR				Stainless Steel (SUS304)	Mirror	92 g	1 pc	10 pcs	
210-022-102	AN-LH011-HL				Stainless Steel (SUS304)	Satin	92 g	1 pc	10 pcs	
210-022-103	AN-LH015-GP	170	146	147	Stainless Steel (SUS304)	Gold+Clear	122 g	1 pc	10 pcs	
210-022-104	AN-LH015-MR				Stainless Steel (SUS304)	Mirror	122 g	1 pc	10 pcs	
210-022-105	AN-LH015-HL				Stainless Steel (SUS304)	Satin	122 g	1 pc	10 pcs	

※AN-DH008 · AN-LH008 = AN-DH001 · AN-LH001 (Previous item name).



Without Lid



With Lid / Top Mounting



With Lid / Side Mounting



With Lid / Diagonal Mounting



Funnel

## MULTI-PURPOSE LID (W/DAMPER)

STAINLESS  
304  
STEEL

AD-KH015-HL

Soft close

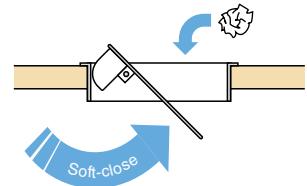
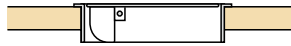


Without Lid

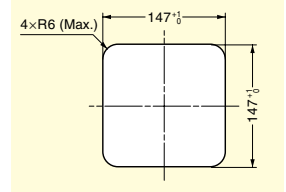
## ■ Features

- Lid equipped with damper.
- Corrosion resistant.
- Wide opening.
- Operating temperature: 0°C ~ 40°C

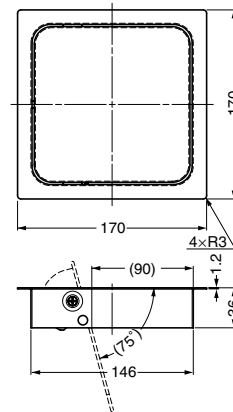
## ■ Installation



## ■ Cut Out Dimensions



Video Link



Item Code	Item Name	Material	Finish	Weight	Box	Carton
210-022-108	AD-KH015-HL(Old:AD-KH017-HL)	Stainless Steel (SUS304)	Satin	970 g	1 pc	6 pcs

## SQUARE COVER FOR REFUSE BOX

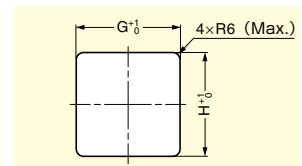
STAINLESS  
304  
STEEL

AN-KH

## ■ Features

Corrosion resistant.

## ■ Cut Out Dimensions

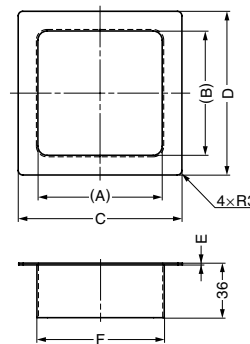


AN-KH005-HL



AN-KH015-HL

AN-KH008-HL



Suitable for separation

Item Code	Item Name	Material	Finish	A	B	C	D	E	F	G	H	Weight	Box	Carton
210-032-785	AN-KH005-HL	Stainless Steel (SUS304)	Satin	56	56	82	82	1.2	58	59	59	87 g	1 pc	150 pcs
210-028-436	AN-KH008-HL (Old : AN-KH001)	Stainless Steel (SUS304)	Satin	82	82	108	108	1.2	84	85	85	126 g	1 pc	10 pcs
210-022-109	AN-KH015-HL (Old : AN-KH017)	Stainless Steel (SUS304)	Satin	144	144	170	170	1.2	146	147	147	217 g	1 pc	10 pcs

# MULTI-PURPOSE LID (W/DAMPER)



## AZ-GD

Video Link



### ■Features

- Lid equipped with damper.
- Installed with anti-pinching plates.
- Corrosion resistant.

### ■Remarks

Operating temperature: 0°C ~ 40°C

### ■Sold Separately

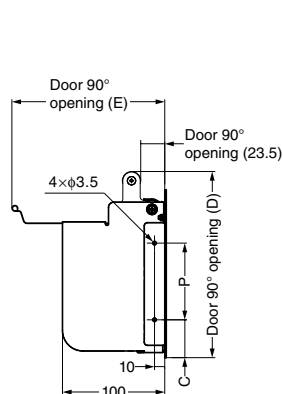
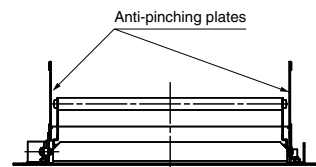
Guide:AZ-SLP(P.9)



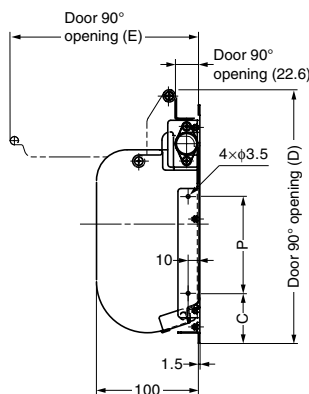
AZ-GD180-HL

AZ-GD230-HL

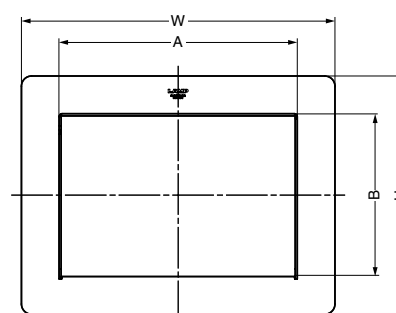
AZ-GD310-HL



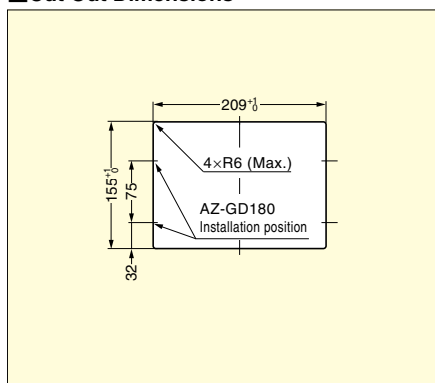
AZ-GD180-HL



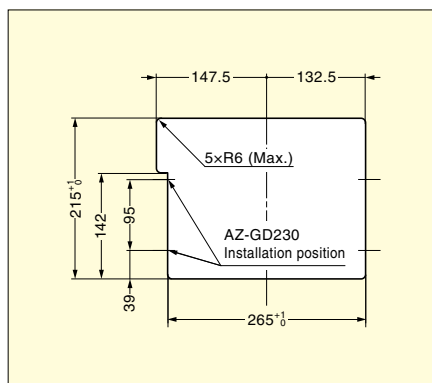
AZ-GD230-HL  
AZ-GD310-HL



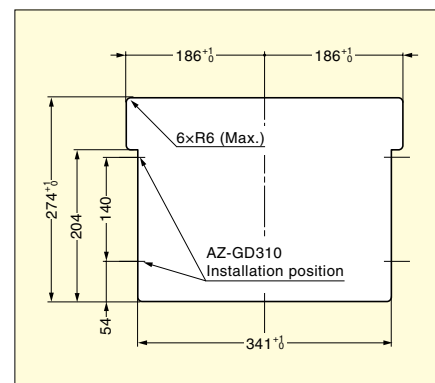
### ■Cut Out Dimensions



AZ-GD180-HL



AZ-GD230-HL



AZ-GD310-HL

Item Code	Item Name	Material	Finish	A	B	W	H	C	D	E	P	Weight	Box	Carton
210-033-487	AZ-GD180-HL	Stainless Steel (SUS304)	Satin	182	128	218	164	37	182	149.5	75	1042 g	1 pc	10 pcs
210-017-089	AZ-GD230-HL	Stainless Steel (SUS304)	Satin	234	160	308	234	49	249	184.7	95	1486 g	1 pc	10 pcs
210-022-110	AZ-GD310-HL	Stainless Steel (SUS304)	Satin	310	220	384	294	64	310	244.7	140	2236 g	1 pc	10 pcs



Without Lid



With Lid / Top Mounting



With Lid / Side Mounting



With Lid / Diagonal Mounting



Funnel

## MULTI-PURPOSE LID (W/DAMPER)

STAINLESS  
304  
STEEL

AZ-GD231-HL

Soft close



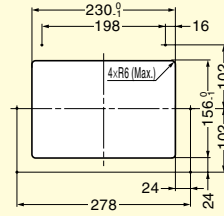
## ■ Features

- Lid equipped with damper.
- Installed with anti-pinching plates.

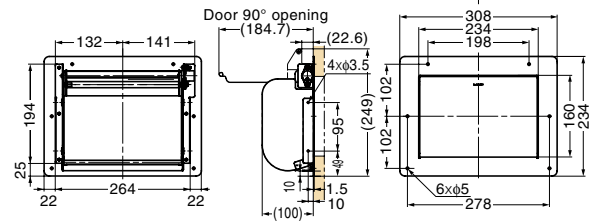
## ■ Remarks

- Indoor use only.
- Operating temperature: 0~40°C.

## ■ Cut Out Dimensions



## ■ Application Example



Item Code	Item Name	Material	Finish	Weight	Box	Carton
210-027-508	AZ-GD231-HL	Stainless Steel (SUS304)	Satin	1486 g	1 pc	10 pcs

## MULTI-PURPOSE LID (W/DAMPER)

AZ-GD232-HL

Soft close



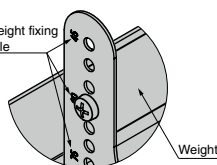
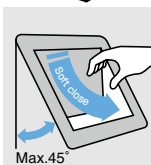
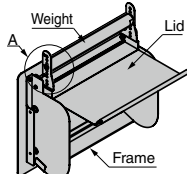
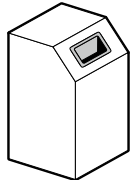
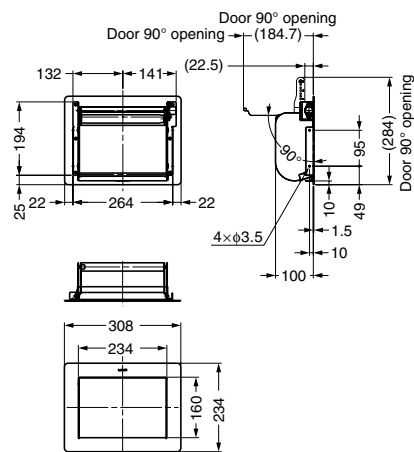
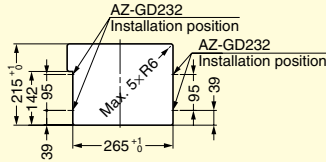
## ■ Features

- Lid equipped with damper.
- Able to install the lid with angle of 85 to 45 degrees.
- Installed with anti-pinching plates.
- Corrosion resistant.

## ■ Remarks

Operating temperature: 0°C~40°C

## ■ Cut Out Dimensions



Item Code	Item Name	Material	Finish	Weight	Box	Carton
210-032-975	AZ-GD232-HL	Stainless Steel (SUS304)	Satin	2200	1 pc	10 pcs



# GUIDE FOR MULTI-PURPOSE LID



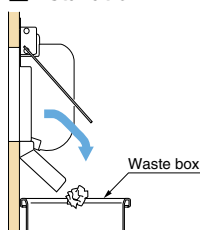
## AZ-SLP



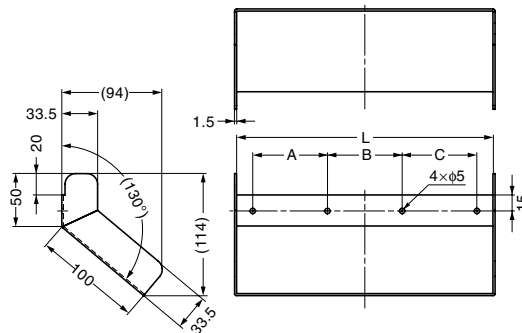
### ■Features

Guides garbage into waste box inside.

### ■Installation



### ■Application Example



Item Code	Item Name	Compatible Items	Material	Finish	L	A	B	C	Weight	Box	Carton
210-026-554	AZ-SLP230	AZ-GD230 (P.796),AZ-GD231 (Above),AZ-GD232(P.798)	Stainless Steel (SUS304)	Plain	241	70	70	70	450 g	1 pc	20 pcs
210-026-555	AZ-SLP310	AZ-GD310 (P.796)	Stainless Steel (SUS304)	Plain	317	80	80	80	570 g	1 pc	20 pcs

# MULTI-PURPOSE LID (W/HANDLE)

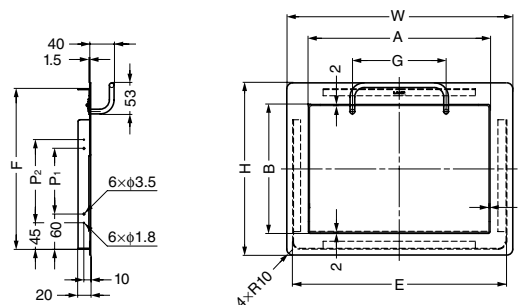


## AZ-HD

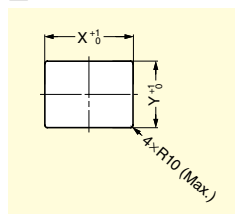


### ■Features

- Easy opening with handle.
- Corrosion resistant.



### ■Cut Out Dimensions



Item Code	Item Name	Material	Finish	A	B	W	H	E	F	G	P <sub>1</sub>	P <sub>2</sub>	X	Y	Weight	Box	Carton
210-180-601	AZ-HD230-HL	Stainless Steel (SUS304)	Satin	234	160	308	234	288	214	120	60	90	289	215	540 g	1 pc	10 pcs
210-180-602	AZ-HD310-HL	Stainless Steel (SUS304)	Satin	310	220	384	294	364	274	160	112	142	365	275	2200 g	5 pcs	10 pcs

Without Lid



With Lid / Top Mounting



With Lid / Side Mounting



With Lid / Diagonal Mounting



Funnel

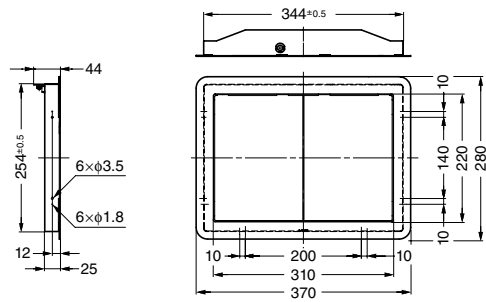
# MULTI-PURPOSE LID (DOUBLE DOOR)



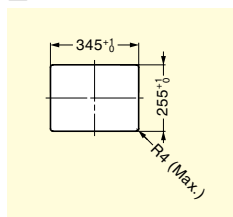
## AZ-DD310-HL

### ■ Features

- Synchronized doors allow easy opening.
- Spring loaded for self-closing.
- Corrosion resistant.



### ■ Cut Out Dimensions



Item Code	Item Name	Material	Finish	Weight	Box	Carton
210-180-600	AZ-DD310-HL	Stainless Steel (SUS304)	Satin	2000 g	1 pc	10 pcs

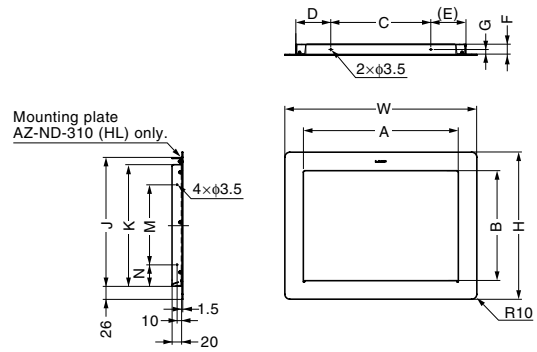
# SQUARE COVER FOR REFUSE BOX



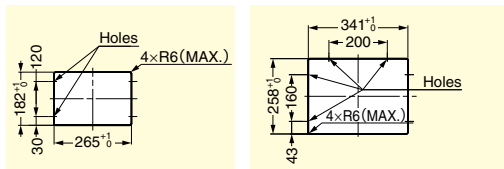
## AZ-ND

### ■ Features

Corrosion resistant.



### ■ Cut Out Dimensions



AZ-ND230-HL

AZ-ND310-HL

Item Code	Item Name	Material	Finish	A	B	W	H	C	D	E	F	G	J	K	M	N	Weight	Box	Carton
210-017-986	AZ-ND230-HL	Stainless Steel (SUS304)	Satin	234	160	308	234	-	-	-	-	-	-	170	120	30	720 g	1 pc	10 pcs
210-026-553	AZ-ND310-HL	Stainless Steel (SUS304)	Satin	310	220	384	294	200	70	70	20	10	257	243	160	43	1050 g	1 pc	10 pcs

# MULTI-PURPOSE GROMMET

STAINLESS 304 STEEL

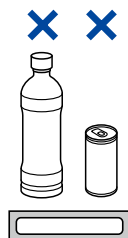
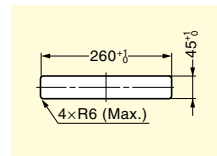
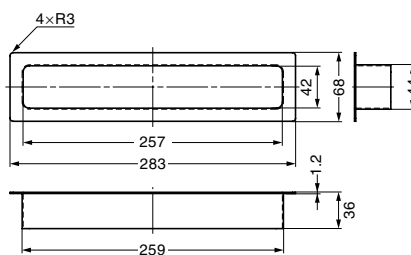
# AN-SH026-HL



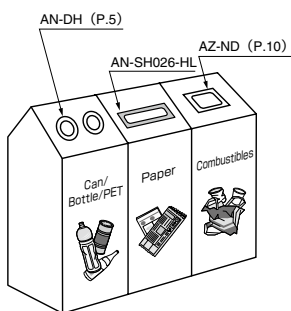
### Features

- Corrosion resistant.
- Ideal for magazine/news paper waste box.

### Cut Out Dimensions



Suitable for separation



Item Code	Item Name	Material	Finish	Weight	Box	Carton
210-028-437	AN-SH026-HL	Stainless Steel (SUS304)	Satin	290 g	1 pc	10 pcs

# STAINLESS STEEL FUNNEL

STAINLESS 304 STEEL

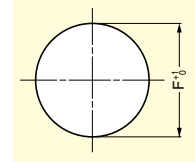
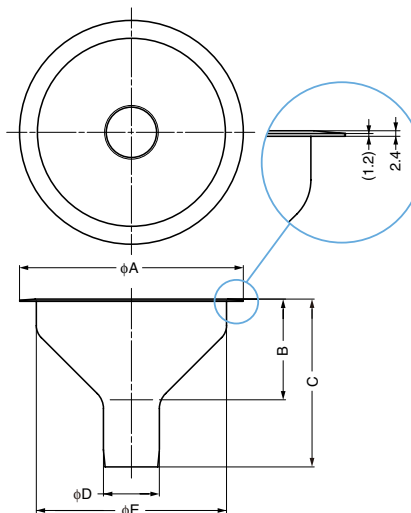
# AE-DH



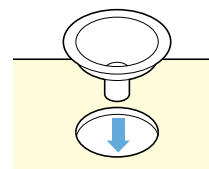
### Sold Separately

- Hose:AE-DH4540-1 (Below)
- Strainer:AE-DH020K-45 (P.12)

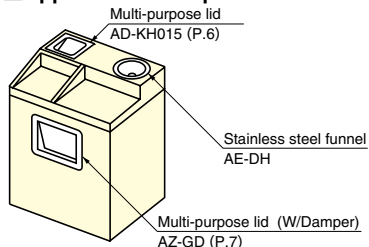
### Cut Out Dimensions



### Easy Installation



### Application Example



Item Code	Item Name	A	B	C	D	E	F	Material	Finish	Hose Diameter	Weight	Box	Carton
210-026-556	AE-DH015-MR	150	55	95	38	120	121	Stainless Steel (SUS304)	Mirror	φ 38	270 g	1 pc	12 pcs
210-026-557	AE-DH015-HL	150	55	95	38	120	121	Stainless Steel (SUS304)	Satin	φ 38	270 g	1 pc	12 pcs
210-022-106	AE-DH020-MR	200	90	150	50	170	171	Stainless Steel (SUS304)	Mirror	φ 50	490 g	1 pc	12 pcs
210-023-509	AE-DH020-HL	200	90	150	50	170	171	Stainless Steel (SUS304)	Satin	φ 50	490 g	1 pc	12 pcs

Without Lid

With Lid / Top Mounting

With Lid / Side Mounting

With Lid / Diagonal Mounting

Funnel

## HOSE FOR AE-DH

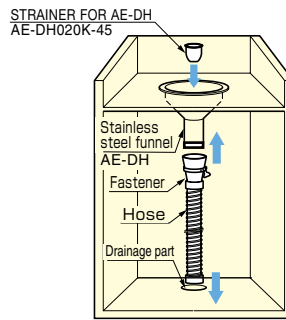
## AE-DH4540-1



Funnel

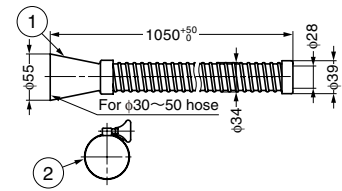


## Application Example



## Remarks

Operating temperature: 1~60°C.



No.	Part Name	Material	Finish/Colour
①	Hose	Polyvinyl Chloride Resin (PVC)	Grey
②	Fastener	Stainless Steel	Plain

Item Code	Item Name	Weight	Box	Carton
210-026-942	AE-DH4540-1	170 g	10 pcs	50 pcs

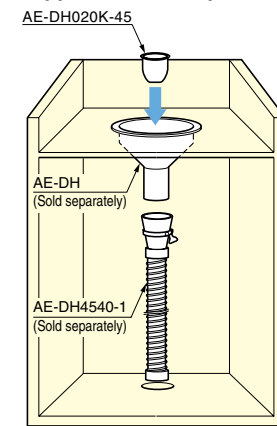
## STRAINER FOR AE-DH



## AE-DH020K-45

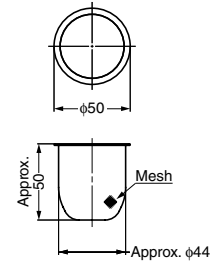


## Application Example



## Remarks

- Sold per 2 pieces.
- For AE-DH020 (P.11).



Item Code	Item Name	Material	Finish	Weight	Box	Carton
210-032-187	AE-DH020K-45	Stainless Steel (SUS304)	Polished	8 g	20 pcs/10 sets	120 pcs/60 sets

## Head Office

## SUGATSUNE KOGYO CO., LTD.

Tokyo, JAPAN  
 Phone: +81 (0)3 3866 2260  
 Fax: +81 (0)3 3866 4447  
 E-mail: [export@sugatsune.co.jp](mailto:export@sugatsune.co.jp)  
 Website: [www.sugatsune-intl.com](http://www.sugatsune-intl.com)

## Asia

## SUGATSUNE SHANGHAI CO., LTD.

Shanghai, CHINA  
 Phone: +86-21-3632-1858  
 Fax: +86-21-3632-1868  
 E-mail: [lamp@sugatsune.com.cn](mailto:lamp@sugatsune.com.cn)  
 Website: <http://www.sugatsune.com.cn>

Guangzhou, CHINA  
 Phone: +86-20-6639-3552  
 Fax: +86-20-6230-9772  
 E-mail: [lamp@sugatsune.com.cn](mailto:lamp@sugatsune.com.cn)  
 Website: <http://www.sugatsune.com.cn>

SUGATSUNE KOGYO  
 INDIA PRIVATE LIMITED  
 Mumbai, INDIA  
 Phone: +91-22-28314490/91  
 E-mail: [sales@sugatsune.in](mailto:sales@sugatsune.in)

## Europe

## SUGATSUNE KOGYO (UK) LIMITED

Reading, UK  
 Phone: +44-118-9272-955  
 Fax: +44-118-9272-871  
 E-mail: [sales@sugatsune.co.uk](mailto:sales@sugatsune.co.uk)  
 Website: <http://www.sugatsune.co.uk>

## SUGATSUNE EUROPE GmbH

Düsseldorf, GERMANY  
 Phone: +49 211 / 53812 900  
 Fax: +49 211 / 53812 901  
 E-mail: [info@sugatsune.eu](mailto:info@sugatsune.eu)  
 Website: <http://www.sugatsune.eu>

## North America

## SUGATSUNE AMERICA, INC.

Los Angeles, USA  
 Phone: +1-310-329-6373  
 Fax: +1-310-329-0819  
 E-mail: [sales@sugatsune.com](mailto:sales@sugatsune.com)  
 Website: <http://www.sugatsune.com>

Chicago, USA  
 Phone: +1-312-461-1081  
 Fax: +1-312-461-1082  
 E-mail: [chicagoshowroom@sugatsune.com](mailto:chicagoshowroom@sugatsune.com)  
 Website: <http://www.sugatsune.com/chicago/>

## Sugatsune YouTube channel

There are movies introducing Sugatsune products' advantages, installment methods, and movements.

<https://www.youtube.com/channel/UCK7KankjLfu9moMuAenEVpw>

