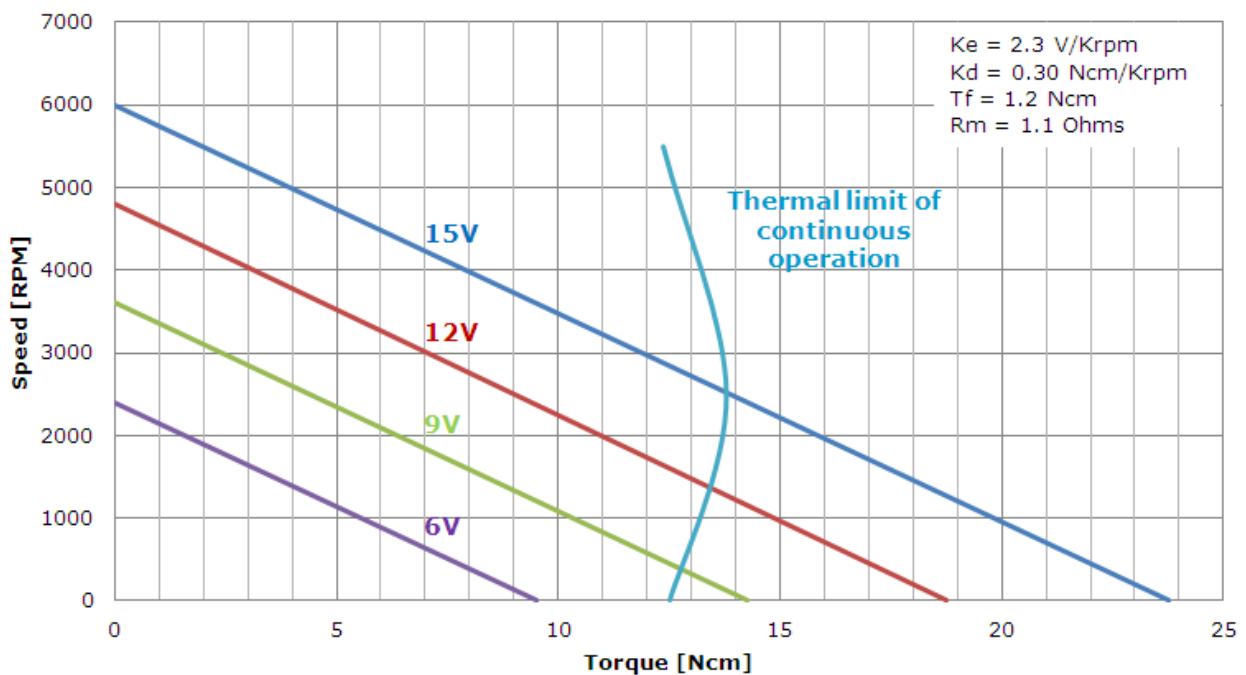
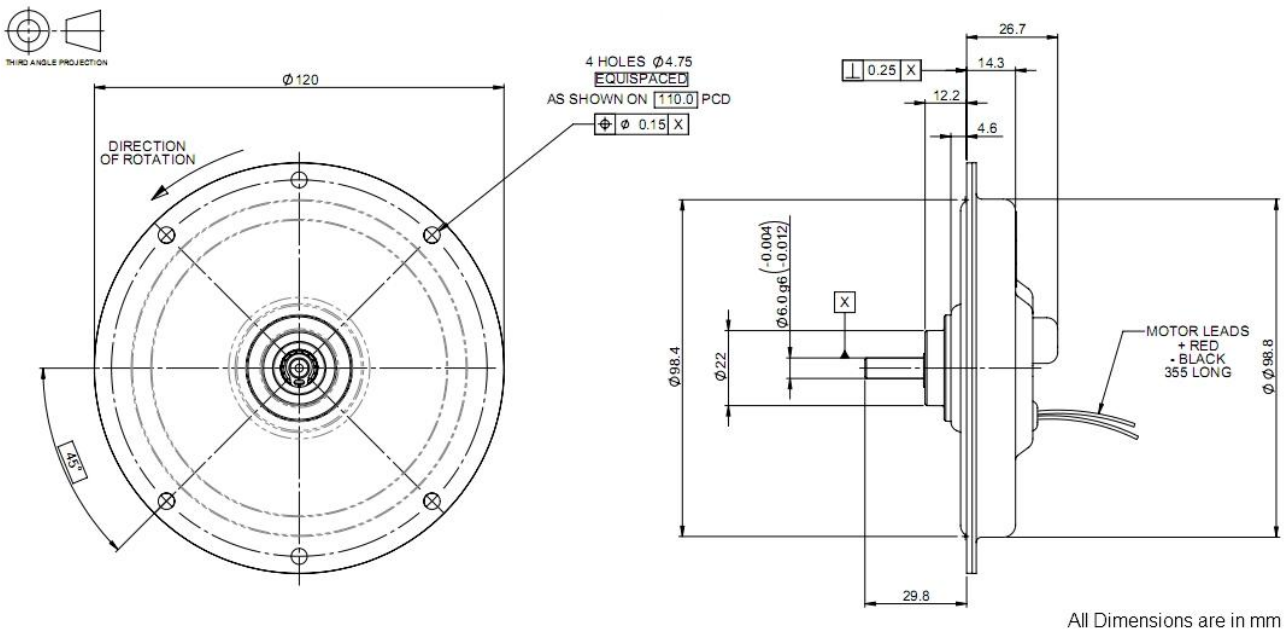
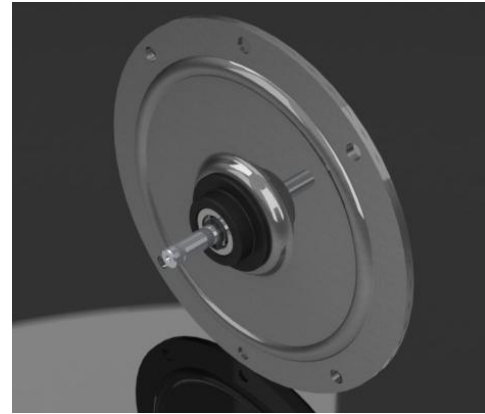


GPM9

The Printed Motor Works *GPM9* is a totally enclosed dc motor in an ultra slim pancake profile. This pancake motor can provide a cost effective servo capability either direct drive or combined with a timing pulley/gearbox.

Features & Benefits

- Ultra slim profile
- Minimum torque ripple
- Very low inertia
- High peak torques
- Zero cogging
- Ultra slow/creep capability
- Low inductance
- EMC compatible



NOTE: The above voltages are examples, not a predefined maximum or minimum. Due to ongoing product improvements data is subject to change without notice.

Applications: Servo mechanisms, motion control, industrial robots, CNC machining, printing machinery, logistics solutions, medical mobility, medical scanners, flight simulators, marine autopilots and high ambient temperature ventilation.

Markets: Industrial automation, automotive, medical, life sciences, aerospace, printing, logistics, instrumentation, test and measurement, oil & gas and offshore marine.

Design Modifications

- Encoders
- Timing pulleys
- Long leads
- Tri-rated cable
- Open/kit option
- Customised shafts
- EMC suppression
- Connectors
- Rated for operation in 150°C ambient
- Mounting customisation

Performance Specifications	Symbol	Units	GPM9
Peak Torque	Tp	N-cm (oz-in)	14 (19.8)
Rated Speed	N	RPM	3000
Rated Continuous Torque @ 25°C	T ₂₅	N-cm (oz-in)	13.8 (19.54)
Rated Power Output	P	Watts	41
Maximum Recommended Speed	Nmax	RPM	6000
Continuous Stall Torque	Ts	N-cm (oz-in)	11 (16)
Cogging Torque	Tc	N-cm (oz-in)	0 (0)
Electrical Specifications			
Rated Terminal Voltage	E	Volts	14.5
Rated Continuous Current	I	Amps	6.9
Peak Current	Ip	Amps	70
Continuous Stall Current	Is	Amps	6.3
Winding Specifications			
Terminal Resistance ± 10%	Rm	Ohms	1.1
Armature Resistance ± 10%	Ra	Ohms	0.64
Back EMF Constant ± 5%	Ke	V/kRPM	2.30
Torque Constant ± 5%	Kt	N-cm/Amp (oz-in/Amp)	2.19 (3.1)
Viscous Damping Constant	Kd	N-cm/KRPM (oz-in/KRPM)	0.3 (0.43)
Armature Inductance	L	µH	<0.03
Temperature Coefficient of KE	C	%/°C Rise	-0.19
Number of Commutation Bars	Z		117
Mechanical Specifications			
Moment of Inertia	Jm	Kg-cm ² (oz-in-sec ²)	0.39 (0.0055)
Average Friction Torque	Tf	N-cm (oz-in)	1.2 (1.7)
Weight	W	kg (Ibs)	0.5 (1.2)
Diameter	D	mm (In)	120 (4.724)
Length	LG	mm (In)	26 (1.024)
Permitted Radial Load		Kg (Ibs)	2 (4.41)
Permitted Axial Load		Kg (Ibs)	1 (2.21)
Figure of Merit			
Mechanical Time Constant	Tm	ms	44
Electrical Time Constant	Te	ms	<0.05
Thermal Specifications			
Thermal Resistance at Rated Speed	RAAR	°C/Watt	2
Thermal Resistance at Stall	RAAS	°C/Watt	2.52