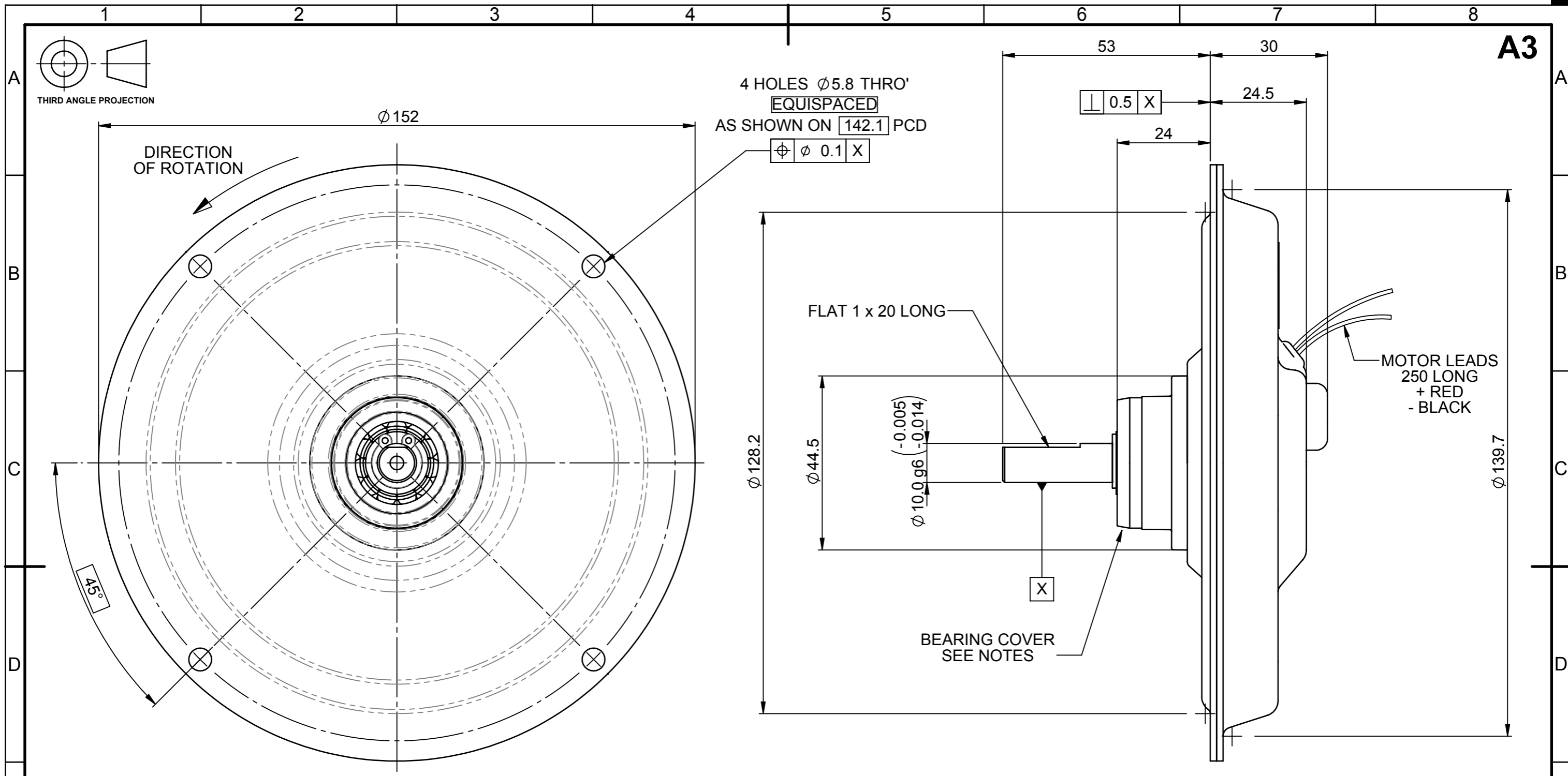


THIRD ANGLE PROJECTION



MOTOR RATINGS.

VOLTAGE.....23.5 Vdc
 CURRENT.....7.6 Amps
 TORQUE.....35.0 Ncm
 SPEED.....3000 r.p.m
 POWER.....110 Watts

MOTOR CONSTANTS.

VOLTAGE.....Ke 5.3 V/1000 r.p.m
 TORQUE.....Kt 5.1 Ncm/ Amp
 DAMPING.....Kd 0.59 Ncm / 1000 r.p.m
 FRICTION.....Tf 2.0 Ncm
 TERMINAL RESISTANCE.....1.0 Ohm

NOTES:

1. BEARING COVER 461316 IS AVAILABLE AS AN OPTIONAL EXTRA.
2. MAX SHAFT ENDFLOAT 0.125mm
3. ELECTRICAL SPEC. No. 003

GENERAL ASSEMBLY DETAILS
 SEE DRG. 539595

LAST CHANGE DETAIL					KEY CHARACTERISTICS IDENTIFIED BY THE FOLLOWING SYMBOL		TOLERANCES UNLESS STATED		DIMENSIONS mm		UNLESS OTHERWISE STATED CHAMFER OR RADII 0.13 (0.005") MAX. REMOVE BURRS & SHARP EDGES. DIMENSIONS APPLY AFTER PLATING		PRINTED MOTOR WORKS Ltd, ALTON, HAMPSHIRE. GU34 2QW. UK	
ISS.	DATE	CR No.	ZONE	INITIALS	DRAWN BY	DATE	0. ± 0.4	ESTIMATED MASS	SCALE	MATERIAL	FINISH	TITLE		
08	01/09/2010	CR3448		GB	G. BELL	16/09/2009	0.0 ± 0.1					1:1	N/A	N/A
07	27/10/2009	CR3283		GB	CHECKED BY	DATE	0.00 ± 0.05					DO NOT SCALE. IF IN DOUBT ASK. BS 8888	DRAWING NUMBER	SHEET
06	17/09/2009	CR3268		GB	RB	27.10.09	ANGULAR ± 0.5°							
					APPROVED BY	DATE	SURFACE FINISH							
							1.6/							

© PRINTED MOTOR WORKS LIMITED
 THIS DRAWING, ENGINEERING REPORT OR DOCUMENT IS COPYRIGHT AND PROPERTY IS RESERVED THEREIN AND THE INFORMATION CONTAINED THEREIN IS CONFIDENTIAL. THIS DRAWING, ENGINEERING REPORT OR DOCUMENT AND INFORMATION MAY NOT BE REPRODUCED OR COMMUNICATED TO A THIRD PARTY OR USED FOR ANY PURPOSE OTHER THAN THAT FOR WHICH IS SUPPLIED WITHOUT THE PRIOR WRITTEN CONSENT OF THE COMPANY.