

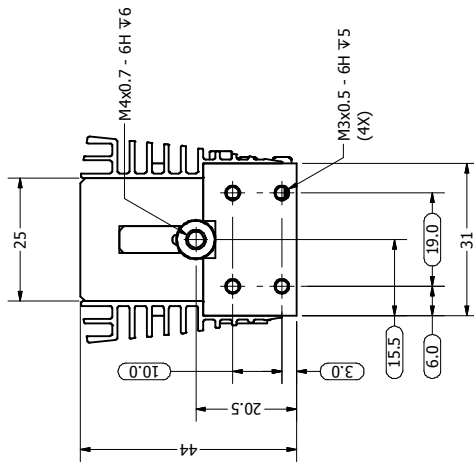
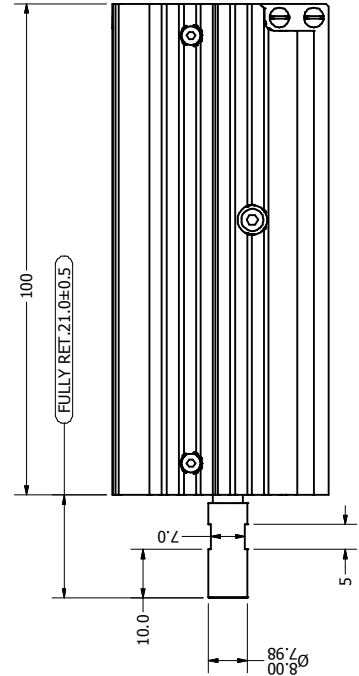
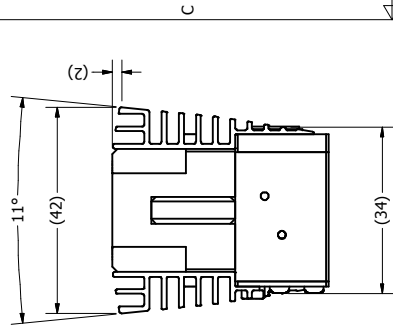
REVISION HISTORY			
REV	DATE	DESCRIPTION	APPROVED
C	4/4/2014	PROPOSAL	TWV
D	10/27/2014	NEW PART #	

**LINEAR SPECIFICATIONS:**  
 LINEAR STROKE: 12 +/-0 mm  
 PEAK FORCE: 38 N @ 6A, 48Vdc  
 FORCE CONSTANT: 8.5 N/A

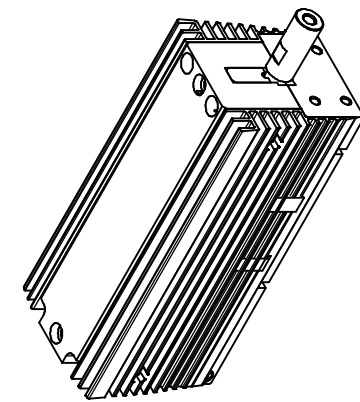
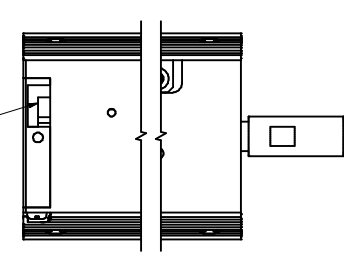
COIL DC RESISTANCE: 6.9 ± 2% Ω  
 COIL INDUCTANCE: 1.8 mH(in circuit)  
 ENCODER RESOLUTION: 5, 1.0, 0.5, 0.1 μm  
 ENCODER REPEATABILITY: ± 2 μm

REF. SIGNAL: 2 - 3 mm REF. REAR STOP  
 MOVING MASS: 59 grams  
 TOTAL MASS: 550 Kg(included cable)

OPERATING TEMPERATURE: 0°C TO 65°C  
 CABLE: LAPP 28 AWG(18/38) 4 PAIR, TWISTED  
 BRAID SHIELDING (P/N: 0035132)



CABLE EXT -  
0.5m LG



DB-26P

PIN No	Details	PIN No	Details
1	PH-A+	14	NC
2	PH-B+	15	NC
3	PH-Z+	16	NC
4	NC	17	NC
5	NC	18	NC
6	NC	19	+5V/DC
7	NC	20	5V/RTN
8	NC	21	COIL+
9	NC	22	COIL+
10	PH-A-	23	COIL-
11	PH-B-	24	COIL-
12	PH-Z-	25	NC
13	NC	26	NC

SMAC		LCA31	
MATERIAL:	REF. NUMBER:	DATE:	CONTRACT:
HEAT TREATMENT:	DESIGNED BY:	DATE:	
NONE	DRAWN BY:	DATE:	
	JUSTIN	10/27/2014	
	PART NAME:		
	LCA31-010-75-3		
	SHEET NUMBER:		
	1 OF 1		
	REVISION:		
	D		
	DO NOT SCALE DWG		
	SCALE:		
	NONE		
	C		
	LCA31-010-75-3		
	SPEC. NUMBER:		
	NONE		
	3.2		
	EXCEPT NOTED		
	GREEN NOTE		
	FINISH:		
	LCA31-010-75-3(dw)		
TOLERANCES ARE:	0.40		
	± 0.1		
	XX		
	± 0.05		
	XXX		
	± 0.1		
	ANGULAR		
	± 0.01		
	CONCENTRIC		
	± 0.01		
	ROUNDNESS		
	± 0.05		
	EDGE BREAK		
	0.02 MAX		
	CHAMFER		
	0.03 MAX		
	FINISH:		
	LCA31-010-75-3(dw)		