

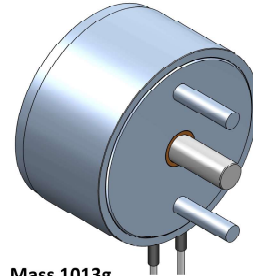
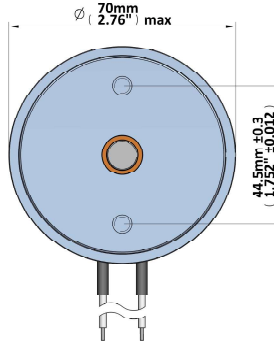
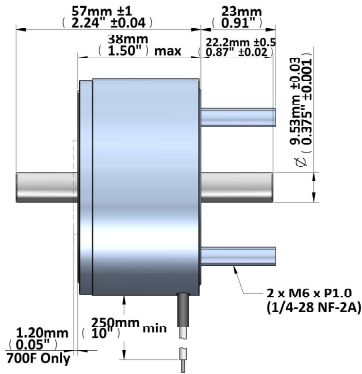


GEEPLUS

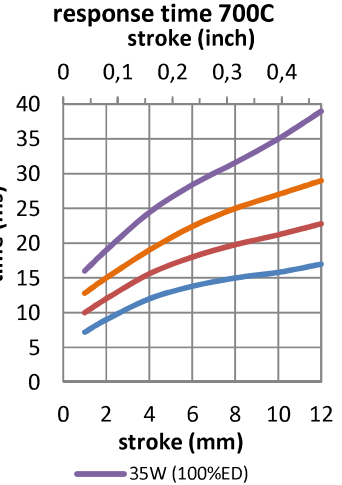
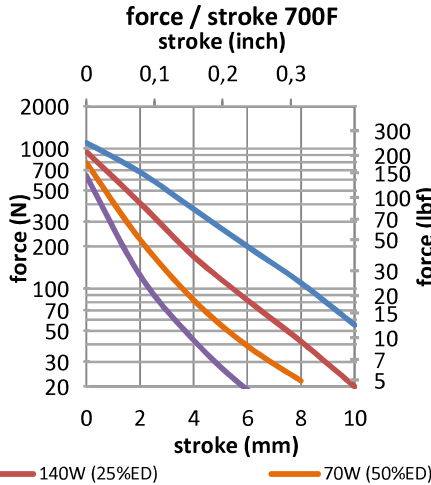
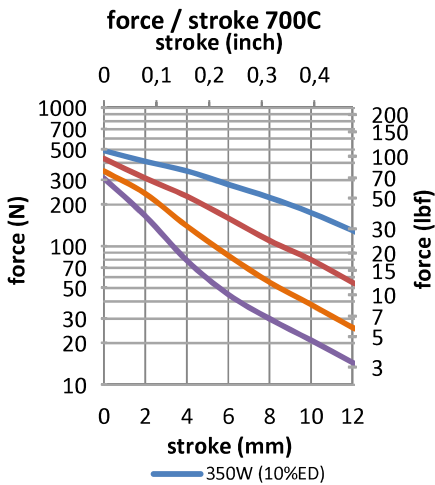
Push Pull Solenoid size 700

Device drawn in energised condition
 plunger options: conical (700C) / flat (700F)
 Life Expectancy (cycles): >2M (-P), >10M (-PE)

Available mechanical options:
 M: metric thread
 F: SAE thread



Mass 1013g
 Plunger (C) 268g
 Plunger (F) 285g
 Leadwires 20AWG, UL1430



Data at 20°C, device connected to heatsink 390x390x3mm aluminum

duty cycle = $\frac{\text{"on" time}}{\text{"on" time} + \text{"off" time}} \times 100\%$		100% cont.	50% or less	25% or less	10% or less	
Max. "on" time in seconds		∞	80	38	16	
watts at 20°C		35	70	140	350	
ampere-turns at 20°		1570	2230	3150	5000	
AWG no.	resistance	number of turns	volts DC			
	Ω±10% (at 20°C)					
20	1,88	368	8	11	16	26
21	3,01	468	10	14	20	32
22	4,82	580	13	18	26	41
23	8,1	780	16	23	33	52
24	12,3	949	20	29	41	65
25	19,0	1148	26	37	52	83
26	30,8	1472	33	46	66	105
27	48,8	1854	41	59	83	132
28	81,1	2436	52	75	105	166
29	121	2944	64	92	130	206
30	190	3650	82	118	166	264
31	275	4175	104	147	209	331
32	440	5792	119	170	240	-
33	735	7000	165	235	331	-
34	995	7600	204	288	-	-

Insulation Resistance >100MΩ, 500VDC Megger
 Class E (120°C) insulation class

Dielectric Strength 1000VAC, 50/60Hz, 1 minute

Geeplus reserves the right to change specifications without notice

www.geeplus.com