

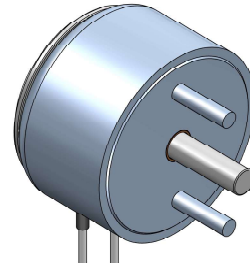
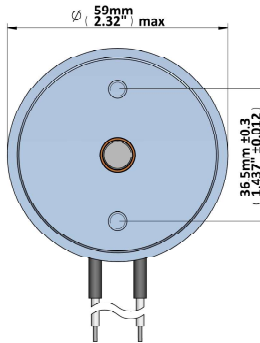
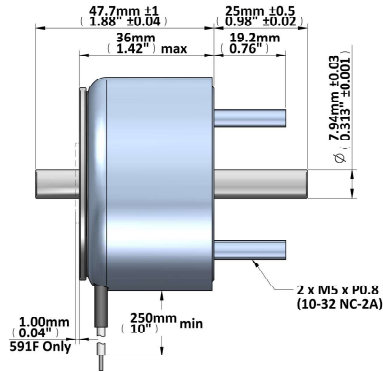


**GEEPLUS**

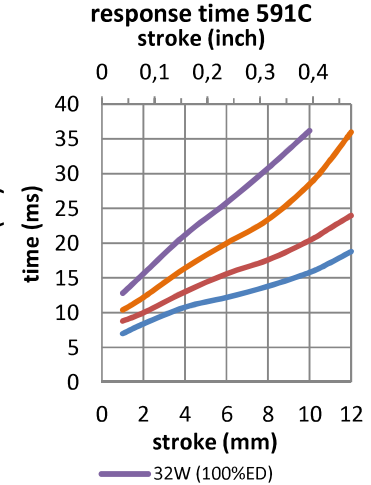
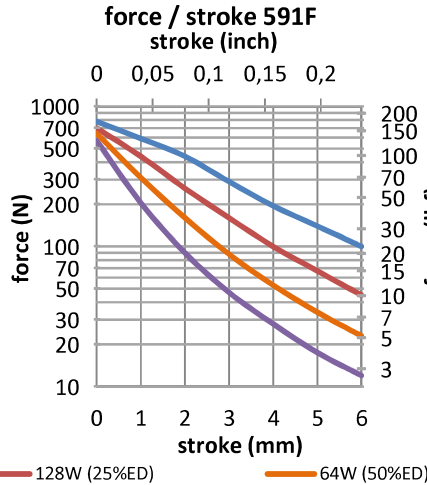
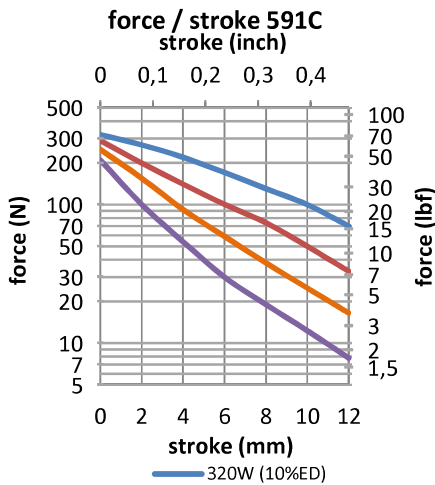
# Push Pull Solenoid size 591

Device drawn in energised condition  
 plunger options: conical (591C) / flat (591F)  
 Life Expectancy (cycles): >2M (-P), >10M (-PE)

Available mechanical options:  
 M: metric thread  
 F: SAE thread



Mass 620g  
 Plunger (C) 145g  
 Plunger (F) 140g  
 Leadwires 20AWG, UL1430



Data at 20°C, device connected to heatsink 310x310x3mm aluminum

duty cycle = $\frac{\text{"on" time}}{\text{"on" time} + \text{"off" time}} \times 100\%$			100% cont.	50% or less	25% or less	10% or less
Max. "on" time in seconds			∞	87	36	13
watts at 20°C			32	64	128	320
ampere-turns at 20°			1480	2080	2940	4620
AWG no.	resistance	number of turns	volts DC			
	$\Omega \pm 10\%$ (at 20°C)					
20	1,23	295	6,2	8,7	12,3	19,3
21	1,75	340	7,6	10,7	15,1	24
22	2,79	446	9,3	13,0	18,4	29
23	4,54	567	11,9	16,7	24	37
24	6,93	690	14,9	21	30	46
25	12,5	910	20	29	40	63
26	18,4	1120	24	34	48	76
27	33,4	1500	33	46	65	103
28	46,3	1750	39	55	78	122
29	74,5	2232	49	69	98	154
30	125,5	2940	63	89	126	197
31	199	3611	82	115	162	255
32	302	4350	103	144	204	321
33	417	5010	123	173	245	385

Insulation Resistance >100MΩ, 500VDC Megger  
 Class E (120°C) insulation class

Dielectric Strength 1000VAC, 50/60Hz, 1 minute

Geeplus reserves the right to change specifications without notice

[www.geeplus.com](http://www.geeplus.com)