



GEEPLUS

Push Pull Solenoid size 490

Device drawn in energised condition

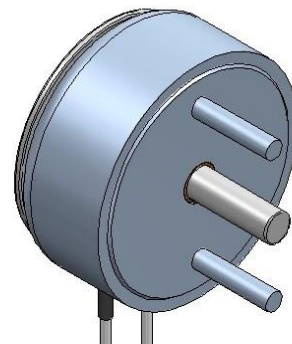
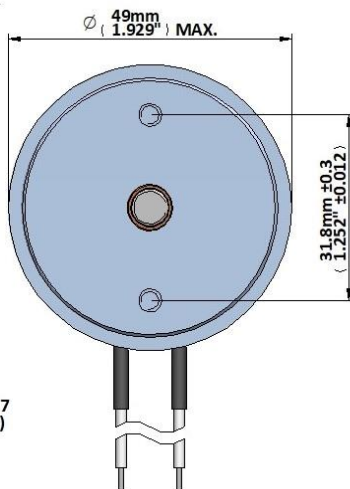
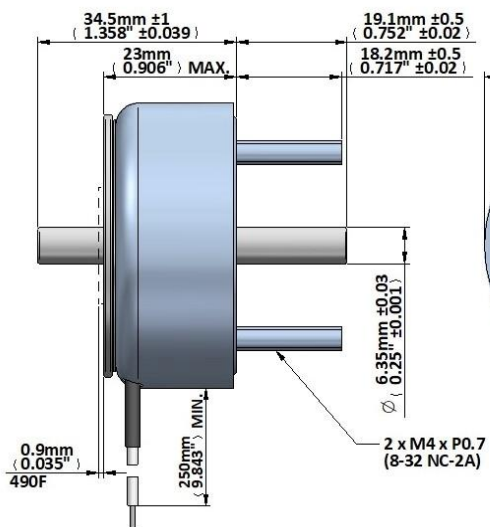
plunger options: flat (490F)

Life Expectancy (cycles): >2M (-P), >10M (-PE)

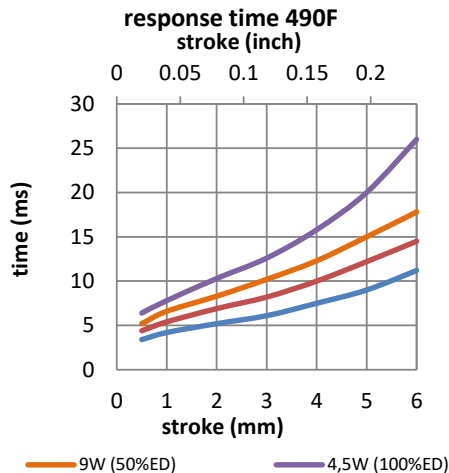
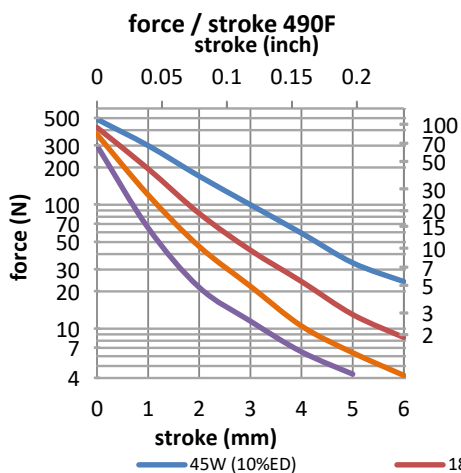
Available mechanical options:

M: metric thread

F: SAE thread



Mass 250g
Plunger 56g
Leadwires 22AWG,
UL1430



Data at 20°C, device connected to heatsink 190x190x3mm aluminum

duty cycle = $\frac{\text{"on" time}}{\text{"on" time} + \text{"off" time}} \times 100\%$		100% cont.	50% or less	25% or less	10% or less	
Max. "on" time in seconds		∞	100	36	10	
watts at 20°C		21	42	84	210	
ampere-turns at 20°		842	1190	1685	2660	
AWG no.	resistance	number of turns	volts DC			
	Ω±10% (at 20°C)					
24	3.20	360	7.6	11	15	24
25	4.91	440	9.5	13	19	30
26	7.72	550	12	17	24	38
27	11.1	636	15	21	30	48
28	18.8	840	19	27	38	60
29	30.5	1088	24	34	48	76
30	44.9	1275	30	43	60	95
31	70.9	1596	38	54	76	120
32	109	1974	48	67	95	150
33	175	2496	60	85	120	190
34	270	3042	76	107	151	239
35	414	3600	95	134	190	301
36	610	4200	122	173	245	386
37	940	5200	151	213	301	-
38	1560	6820	190	268	379	-

Insulation Resistance >100MΩ, 500VDC Megger

Dielectric Strength 1000VAC, 50/60Hz, 1 minute

Class E (120°C) insulation class

Geeplus reserves the right to change specifications without notice

www.geeplus.com