



GEEPLUS Push Pull Solenoid size 300

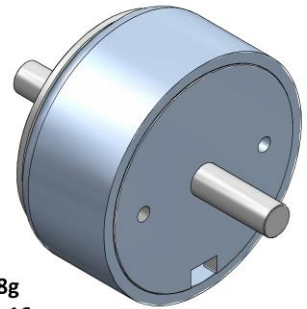
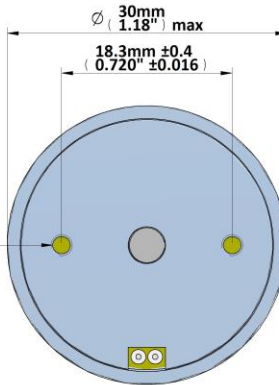
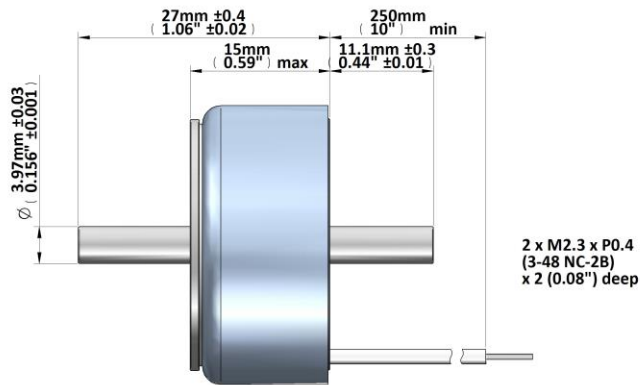
Device drawn in energised condition
conical plunger

Life Expectancy (cycles): >5M

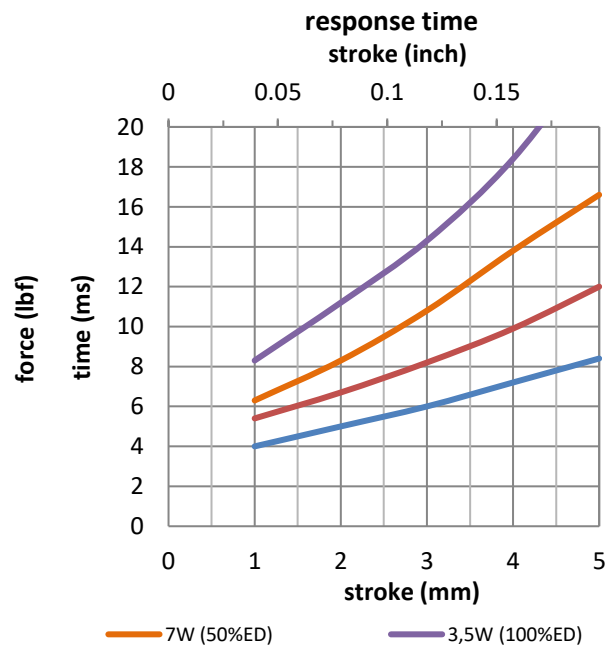
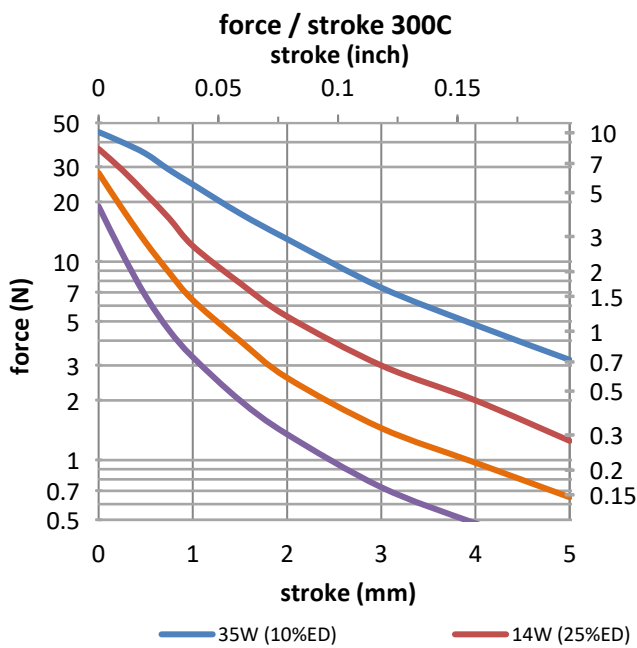
Available mechanical options:

M: metric thread

F: SAE thread



Mass 58g
Plunger 16g
Leadwires 28AWG, UL1430



Data at 20°C, without heatsink

duty cycle = $\frac{\text{"on" time}}{\text{"on" time} + \text{"off" time}} \times 100\%$		100% cont.	50% or less	25% or less	10% or less	
Max. "on" time in seconds		∞	100	36	7	
watts at 20°C		3.5	7	14	35	
ampere-turns at 20°		272	385	545	864	
type no.	resistance	number of turns	volts DC			
	$\Omega \pm 10\%$ (at 20°C)					
M300C-3V F300C-3V	2.6	235	3.0	4.2	6.0	9.5
M300C-6V F300C-6V	10.4	485	6.0	8.5	12	19
M300C-12V F300C-12V	41.8	990	12	17	24	38
M300C-24V F300C-24V	166	1780	24	34	48	76

Insulation Resistance >100MΩ, 500VDC Megger
Class E (120°C) insulation class

Dielectric Strength 1000VAC, 50/60Hz, 1 minute

Geeplus reserves the right to change specifications without notice

www.geeplus.com