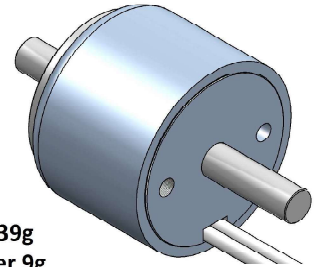
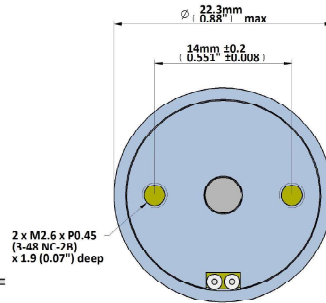
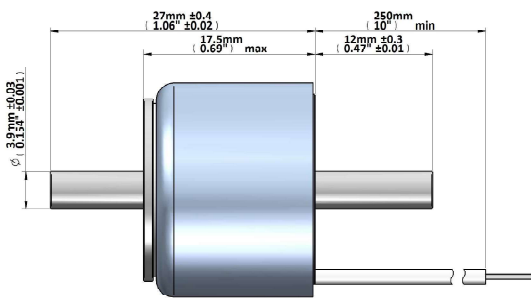




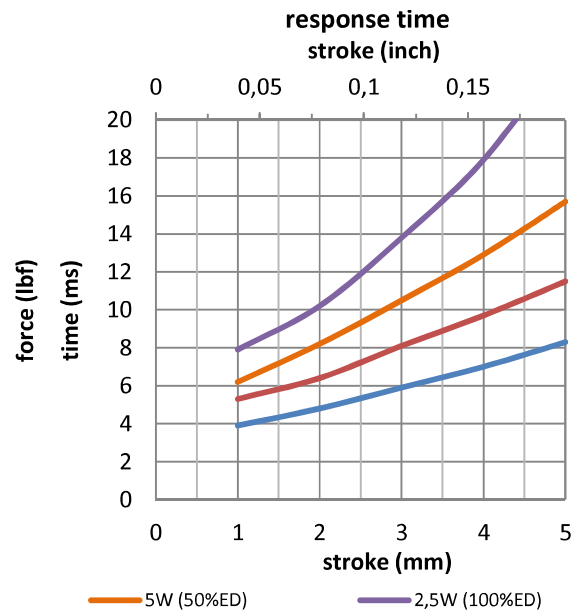
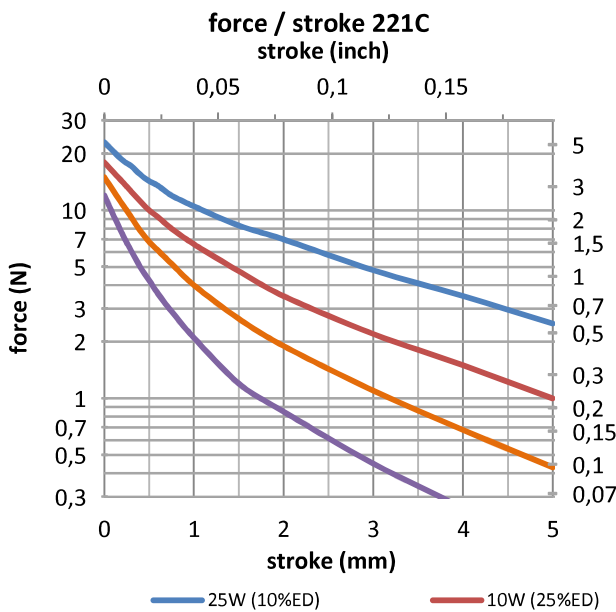
GEEPLUS Small Push Pull Solenoid size 221

Device drawn in energised condition
conical plunger
Life Expectancy (cycles): >5M

Available mechanical options:
M: metric thread
F: SAE thread



Mass 39g
Plunger 9g
Leadwires 26AWG, UL1430



Data at 20°C, without heatsink

duty cycle = $\frac{\text{"on" time}}{\text{"on" time} + \text{"off" time}} \times 100\%$			100% cont.	50% or less	25% or less	10% or less
Max. "on" time in seconds			∞	100	36	7
watts at 20°C			2,5	5	10	25
ampere-turns at 20°			253	358	507	803
type no.	resistance	number of turns	volts DC			
	$\Omega \pm 10\%$ (at 20°C)					
M221C-3V F221C-3V	3,8	325	3,0	4,2	6,0	9,5
M221C-6V F221C-6V	13,8	620	6,0	8,5	12	19
M221C-12V F221C-12V	59	1260	12	17	24	38
M221C-24V F221C-24V	226	2200	24	34	48	76

Insulation Resistance >100MΩ, 500VDC Megger
Class E (120°C) insulation class

Dielectric Strength 1000VAC, 50/60Hz, 1 minute

Geplus reserves the right to change specifications without notice

www.geeplus.com