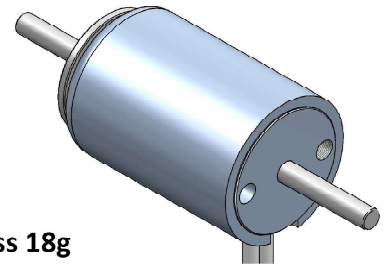
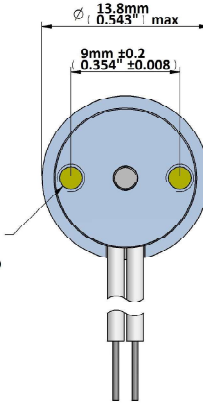
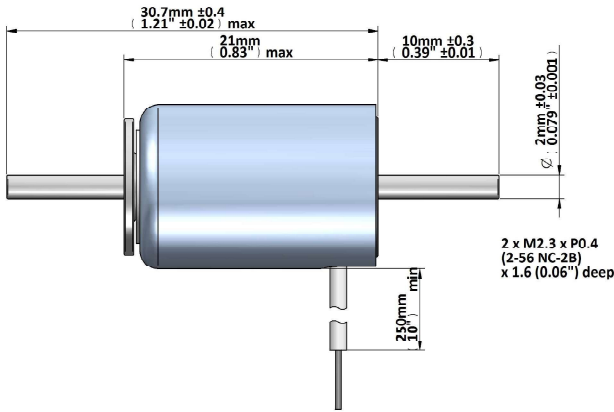




GEEPLUS Small Push Pull Solenoid size 144

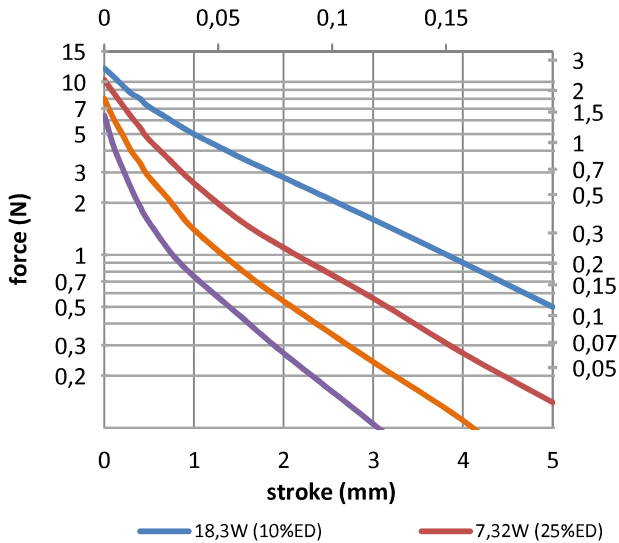
Device drawn in energised condition
conical plunger
Life Expectancy (cycles): >5M

Available mechanical options:
M: metric thread
F: SAE thread

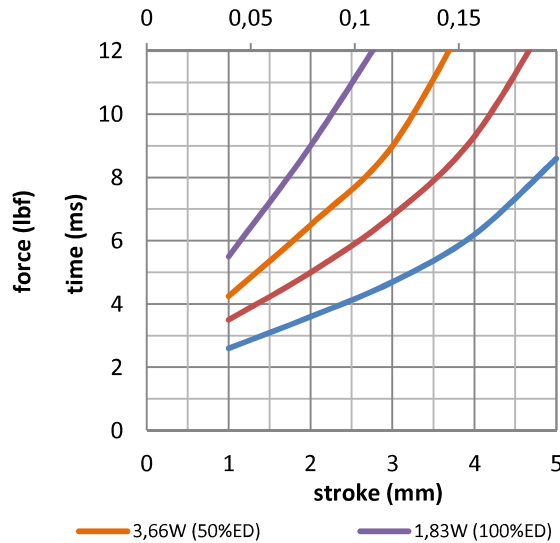


Mass 18g
Plunger 3g
Leadwires 28AWG,
UL1430

force / stroke 144C
stroke (inch)



response time
stroke (inch)



Data at 20°C, without heatsink

duty cycle = $\frac{\text{"on" time}}{\text{"on" time} + \text{"off" time}} \times 100\%$			100% cont.	50% or less	25% or less	10% or less
Max. "on" time in seconds			∞	100	36	7
watts at 20°C			1,83	3,66	7,32	18,3
ampere-turns at 20°			236	334	472	746
type no.	resistance	number of turns	volts DC			
	$\Omega \pm 10\%$ (at 20°C)					
M144C-3V F144C-3V	5,0	415	3,0	4,2	6,0	9,5
M144C-6V F144C-6V	22,7	910	6,0	8,5	12	19
M144C-12V F144C-12V	91,5	1750	12	17	24	38
M144C-24V F144C-24V	329	3150	24	34	48	76

Insulation Resistance >100MΩ, 500VDC Megger
Class E (120°C) insulation class

Dielectric Strength 1000VAC, 50/60Hz, 1 minute

Geplus reserves the right to change specifications without notice

www.geeplus.com