

- NOTES:
- FOR A CCW ROTATION, AS VIEWED FROM LEAD END, ENERGIZE PER EXCITATION SEQUENCE BELOW.
 - MOTOR SUPPLIED AS TWO SEPARATE COMPONENTS, ARMATURE ASSEMBLY AND FIELD ASSEMBLY.
 - MINIMUM MOUNTING SURFACE FROM 220.98 [8.700] TO 229.87 [9.050] BOTH SIDES.
 - DIMENSIONS IN BRACKETS [] ARE ENGLISH UNITS FOR REFERENCE ONLY.
 - NO ANGULAR RELATIONSHIP BETWEEN MOUNTING HOLES ON EITHER SIDE OF ROTOR.
 - RoHS (DIRECTIVE 2002/95/EC AND AMMENDMENTS) COMPLIANCE REQUIRED.

MOTOR LEADS :
 #14 AWG, TEFLON INSULATED, U.L. 1199
 3 LEADS, 400 MM [15.75"] MIN
 1- BLUE 1- BROWN 1- VIOLET

THERMISTOR LEADS :
 #26 AWG, TEFLON INSULATED
 2 LEADS, 400 MM [15.75"] MIN
 1- BLUE 1- RED

REVISION				
REV	ECN NO.	DESCRIPTION	DATE	APPROVED
A	R01.14426	SEE ECO L&T	10-May-11	LW

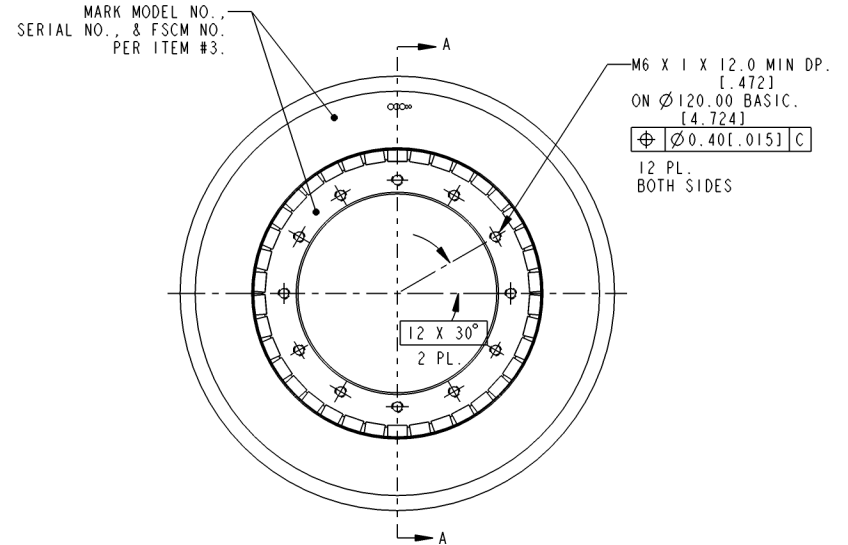
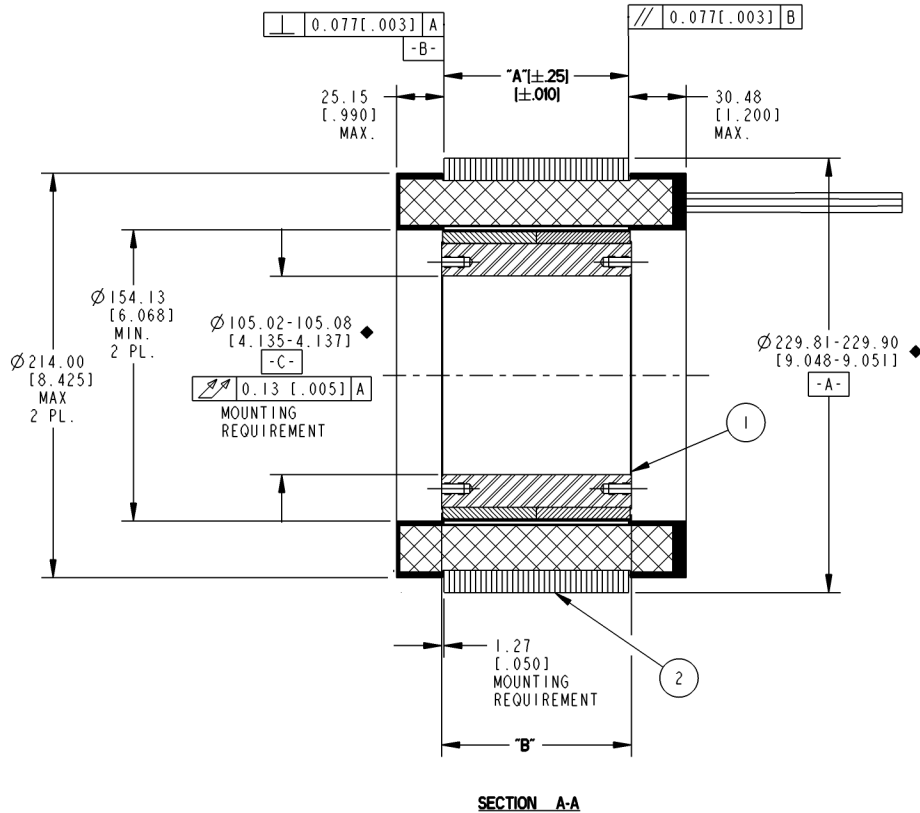


TABLE - 1

MODEL NUMBER	ARMATURE ASSY H.V. INSULATION	ARMATURE ASSY STD. INSULATION	FIELD ASSY	DIM "A"	DIM "B"
KBM-60X00	946126/00X	946195/00X	946127/00	26.62 [1.048]	29.39 [1.157]
KBM-60X01	946126/01X	946195/01X	946127/01	48.11 [1.894]	50.88 [2.003]
KBM-60X02	946126/02X	946195/02X	946127/02	97.71 [3.847]	100.48 [3.956]
KBM-60X03	946126/03X	946195/03X	946127/03	147.32 [5.800]	150.09 [5.909]

POWER CONNECTION

STEP	PHASE "U" BLUE	PHASE "V" BROWN	PHASE "W" VIOLET
1	+	-	-
2	+	-	-
3	-	+	-
4	-	+	-
5	-	-	+
6	-	-	+

EXCITATION SEQUENCE TABLE

THIS DOCUMENT IS ONLY FOR USE BY THE INTENDED RECIPIENT AND CONTAINS KOLLMORGEN CONFIDENTIAL INFORMATION

Proj Instance Name: **INM0110E.SHA15**

Proj Drawing Name: 946125

Proj Model Type: ASSEM

Pro/Engineer Drawing

METRIC DRAWING

SIGNIFICANT PRODUCT CHARACTERISTIC
 CRITICAL PRODUCT CHARACTERISTIC

3	AR	IM-2709	MARKING PROCEDURE
2	I	SEE TABLE	ARMATURE ASSY
1	I	SEE TABLE	FIELD ASSEMBLY
ITEM	QTY	IDENTIFYING NO.	DESCRIPTION

LIST OF PARTS			
UNLESS OTHERWISE SPECIFIED: REMOVE ALL SHARP BURRS AND BREAK ALL SHARP EDGES X DECIMAL PLACES ± 4 [0.15] XX DECIMAL PLACES ± 13 [0.005] ANGULAR DIMENSIONS ± 1°		KOLLMORGEN Inland Motor	
INLAND MOTOR 501 FIRST STREET RADFORD, VIRGINIA 24141		OUTLINE KBM-60XXX-X00	
DO NOT SCALE DRAWING. USE DIMENSIONS ONLY. ALL DIMENSIONS ARE IN MILLIMETERS DIMENSIONS IN BRACKETS [] ARE IN INCHES AND ARE FOR REFERENCE ONLY.	SCALE: 0.500	JOB NO.:	SHEET 1 OF 1

FSC: **11384** SIZE: **C** DWG. NO.: **946125** REV: **A**