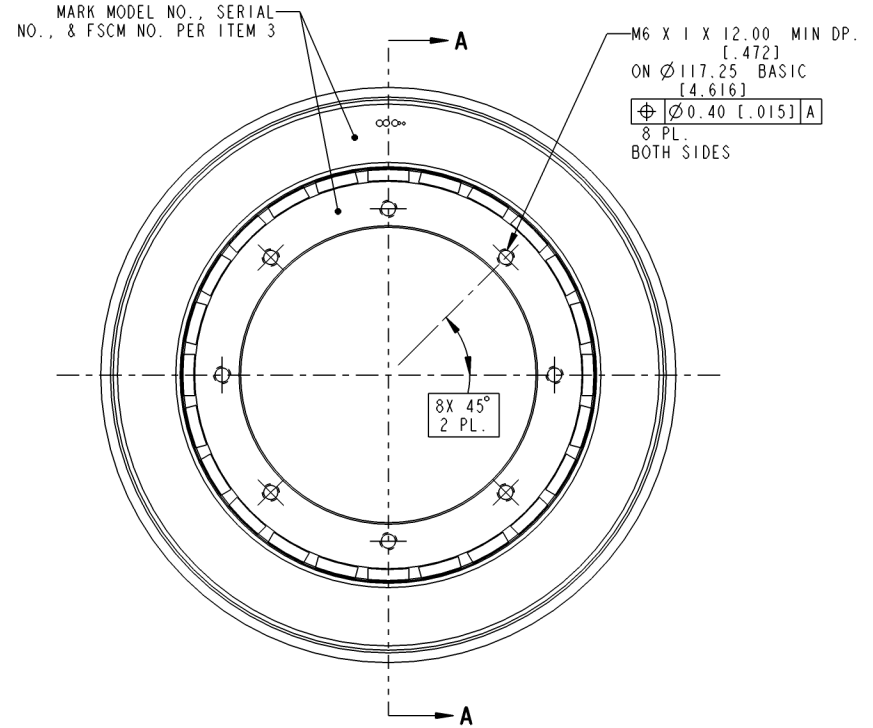
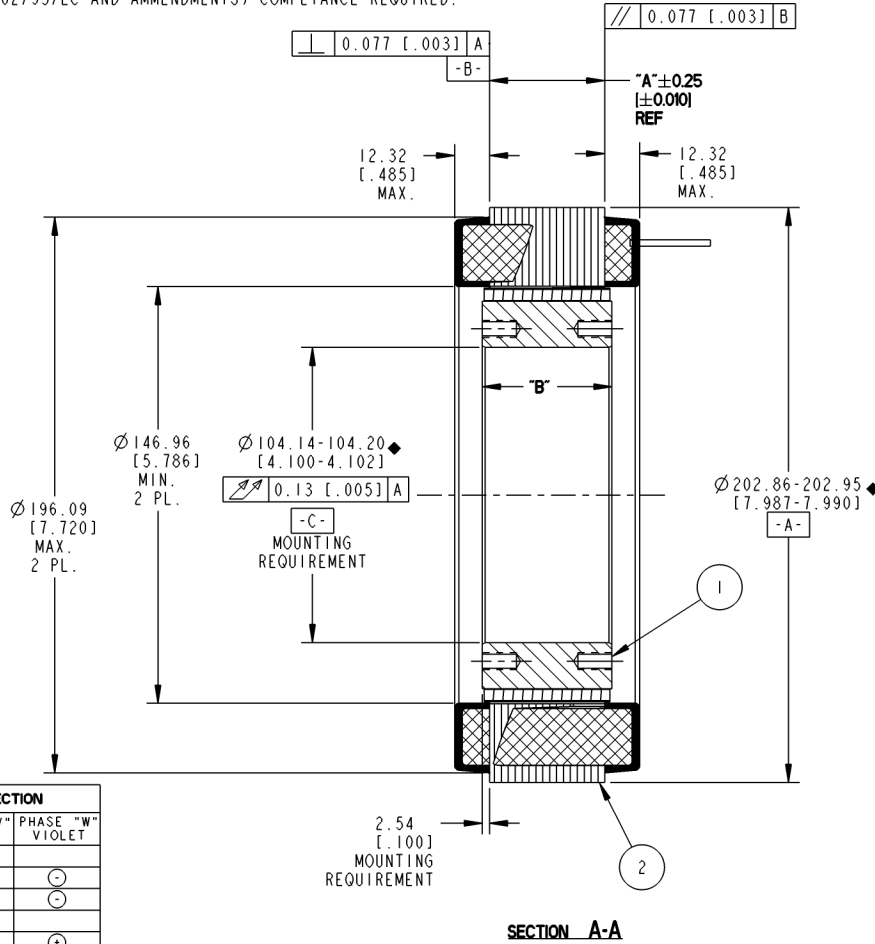


- NOTES:
- FOR A C.C.W. ROTATION, AS VIEWED FROM LEAD END, ENERGIZE PER EXCITATION SEQUENCE BELOW.
  - MOTOR SUPPLIED AS TWO SEPERATE COMPONENTS, ARMATURE ASSY AND FIELD ASSY.
  - MINIMUM MOUNTING SURFACE FROM 196.85 [7.750] TO 202.94 [7.990] BOTH SIDES.
  - DIMENSIONS IN BRACKETS [ ] ARE ENGLISH UNITS FOR REFERENCE ONLY.
  - NO ANGULAR RELATIONSHIP BETWEEN MOUNTING HOLES ON EITHER SIDE OF ROTOR.
  - RoHS (DIRECTIVE 2002/95/EC AND AMMENDMENTS) COMPLIANCE REQUIRED.

**MOTOR LEADS:**  
 #16 AWG, TEFLON INSULATED, U.L. 1199  
 3 LEADS, 400MM [15.75"] MIN  
 1-BLUE, 1-BROWN & 1-VIOLET

**THERMISTOR LEADS:**  
 #26 AWG, TEFLON INSULATED,  
 2 LEADS, 400MM [15.75"] MIN  
 1-BLUE 1-RED

REVISION					
REV	ECN NO.	DESCRIPTION	DATE	APPROVED	
A	R01.14145	SEE ECO	L&T	20-Jan-11	LW
B	R01.14387	SEE ECO	L&T	15-Apr-11	LW
C	R01.15070	SEE ECO	L&T	17-Jul-12	LW



POWER CONNECTION			
STEP	PHASE "U" BLUE	PHASE "V" BROWN	PHASE "W" VIOLET
1	+	-	
2	+		-
3		+	-
4	-	+	
5	-		+
6		-	+

EXCITATION SEQUENCE TABLE

TABLE 1					
MODEL NUMBER	ARMATURE ASSY H.V. INSULATION	ARMATURE ASSY STD. INSULATION	FIELD ASSEMBLY	DIM "A"	DIM "B"
KBM-57X01	946412/01X	946413/01X	946414/01	20.32 [0.800]	25.40 [1.000]
KBM-57X02	946412/02X	946413/02X	946414/02	40.64 [1.600]	45.72 [1.800]
KBM-57X03	946412/03X	946413/03X	946414/03	81.79 [3.220]	86.36 [3.400]
KBM-57X04	946412/04X	946413/04X	946414/04	123.82 [4.875]	129.16 [5.085]
KBM-57X05	946412/05X	946413/05X	946414/05	166.37 [6.550]	171.70 [6.760]

THIS DOCUMENT IS ONLY FOR USE BY THE INTENDED RECIPIENT AND CONTAINS KOLLMORGEN CONFIDENTIAL INFORMATION

Proj Instance Name: KBM5701INC\_946411

Proj Drawing Name: 946411

Proj Model Type: ASSEN

Pro/Engineer Drawing



**METRIC DRAWING**

- SIGNIFICANT PRODUCT CHARACTERISTIC
- CRITICAL PRODUCT CHARACTERISTIC

3	AR	IM-2709	MARKING PROCEDURE
2	I	SEE TABLE	ARMATURE ASSEMBLY
1	I	SEE TABLE	FIELD ASSEMBLY
ITEM	QTY	IDENTIFYING NO.	DESCRIPTION
LIST OF PARTS			
		<b>KOLLMORGEN</b>	INLAND MOTOR
		<b>Inland Motor</b>	501 FIRST STREET RADFORD, VIRGINIA 24141
OUTLINE KBM-57XXX-X00			
DO NOT SCALE DRAWING. USE DIMENSIONS ONLY. ALL DIMENSIONS ARE IN MILLIMETERS AND ARE FOR REFERENCE ONLY.		SCALE: 0.750	JOB NO.:
INTERPRET GEOMETRIC SYMBOLS PER ANSI Y14.5M-1992		DATE: 01-Jul-09	DATE: 16-Sep-09
DRAWN BY: L&T		CHECKED BY: LW	APPROVED BY: AG
FSCM: 11384		SIZE: C	DWG. NO.: 946411
REV: C		SHEET 1 OF 1	