

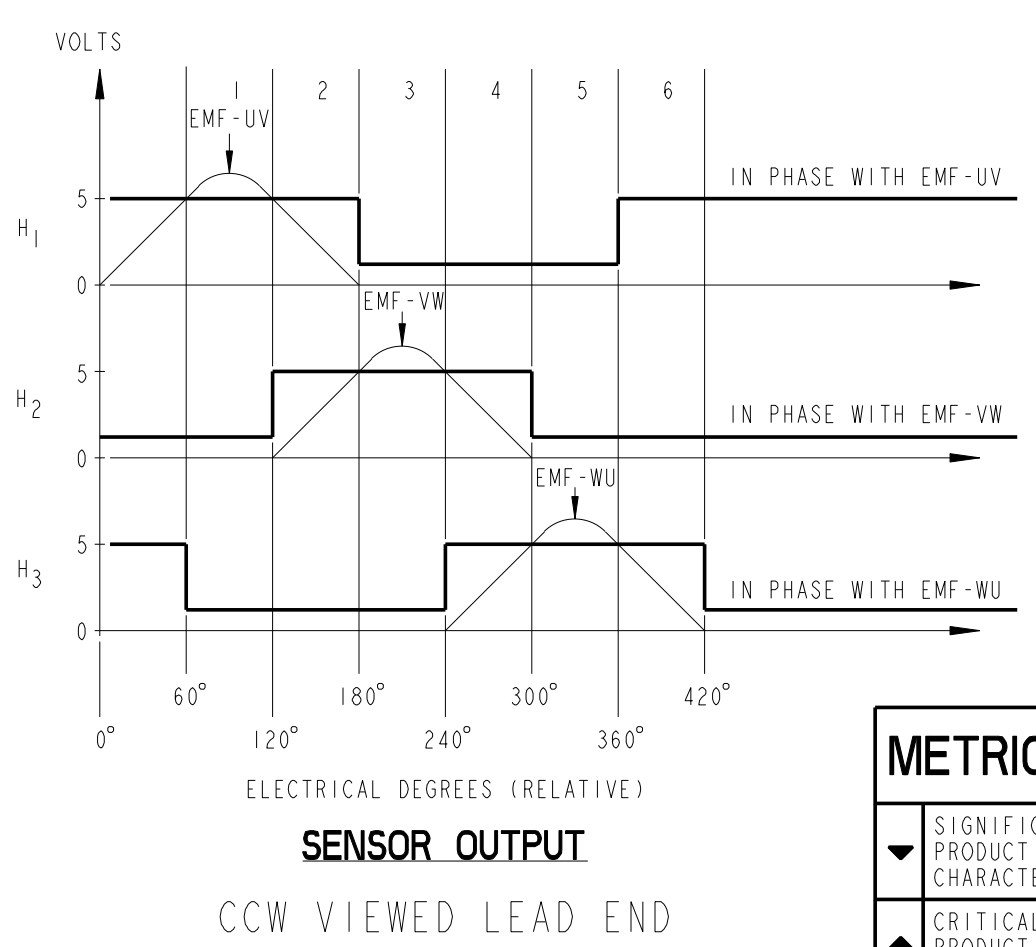
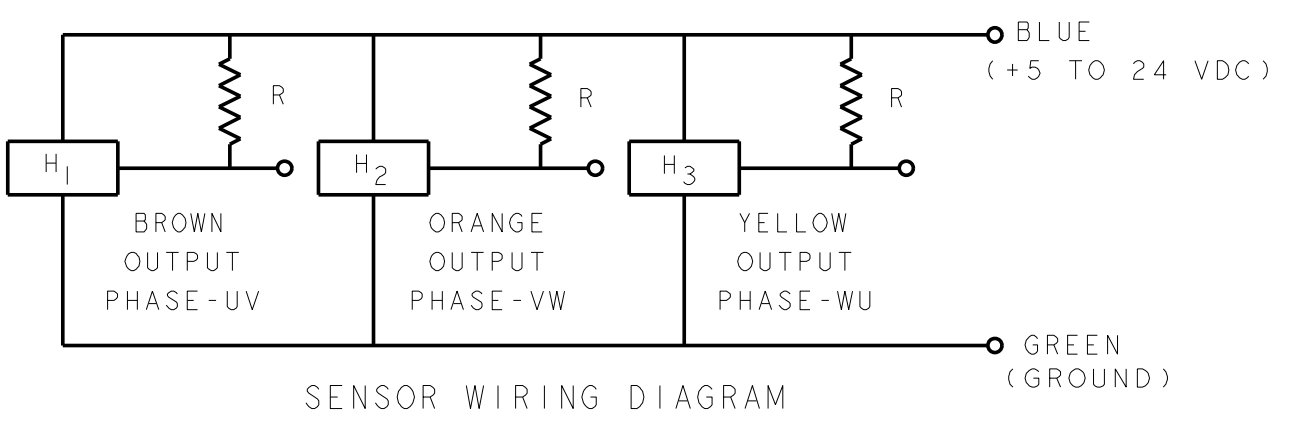
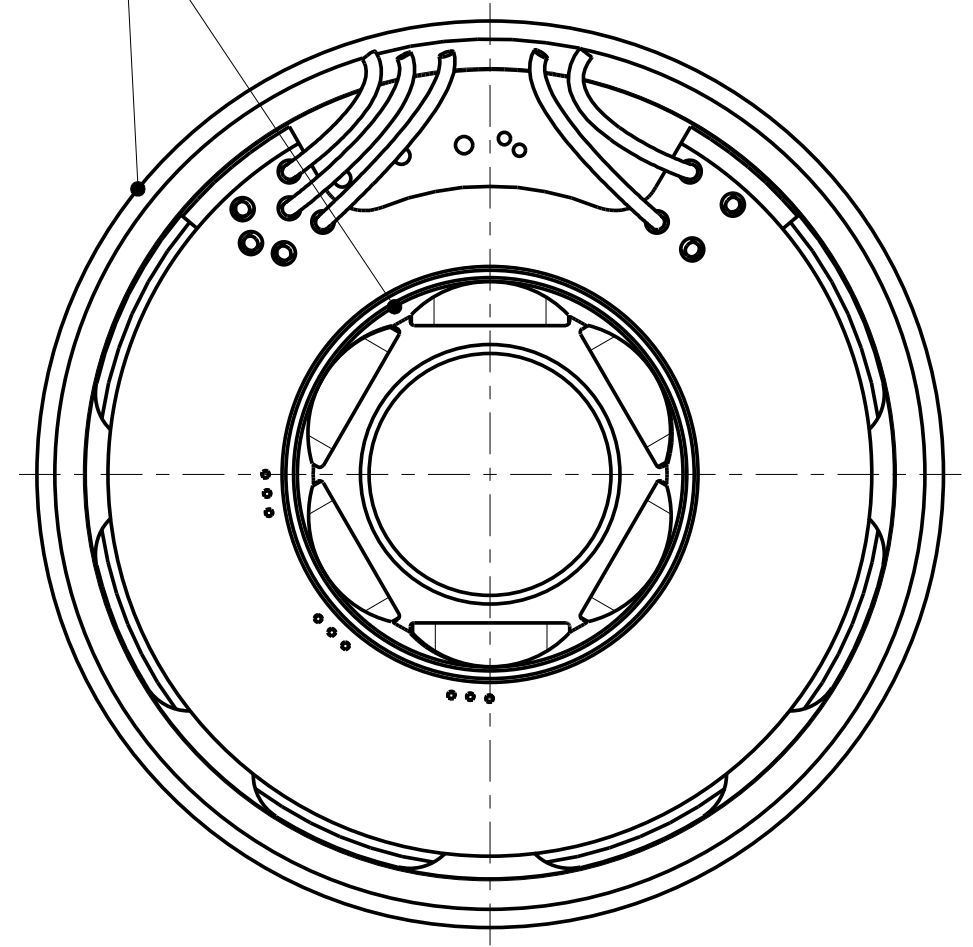
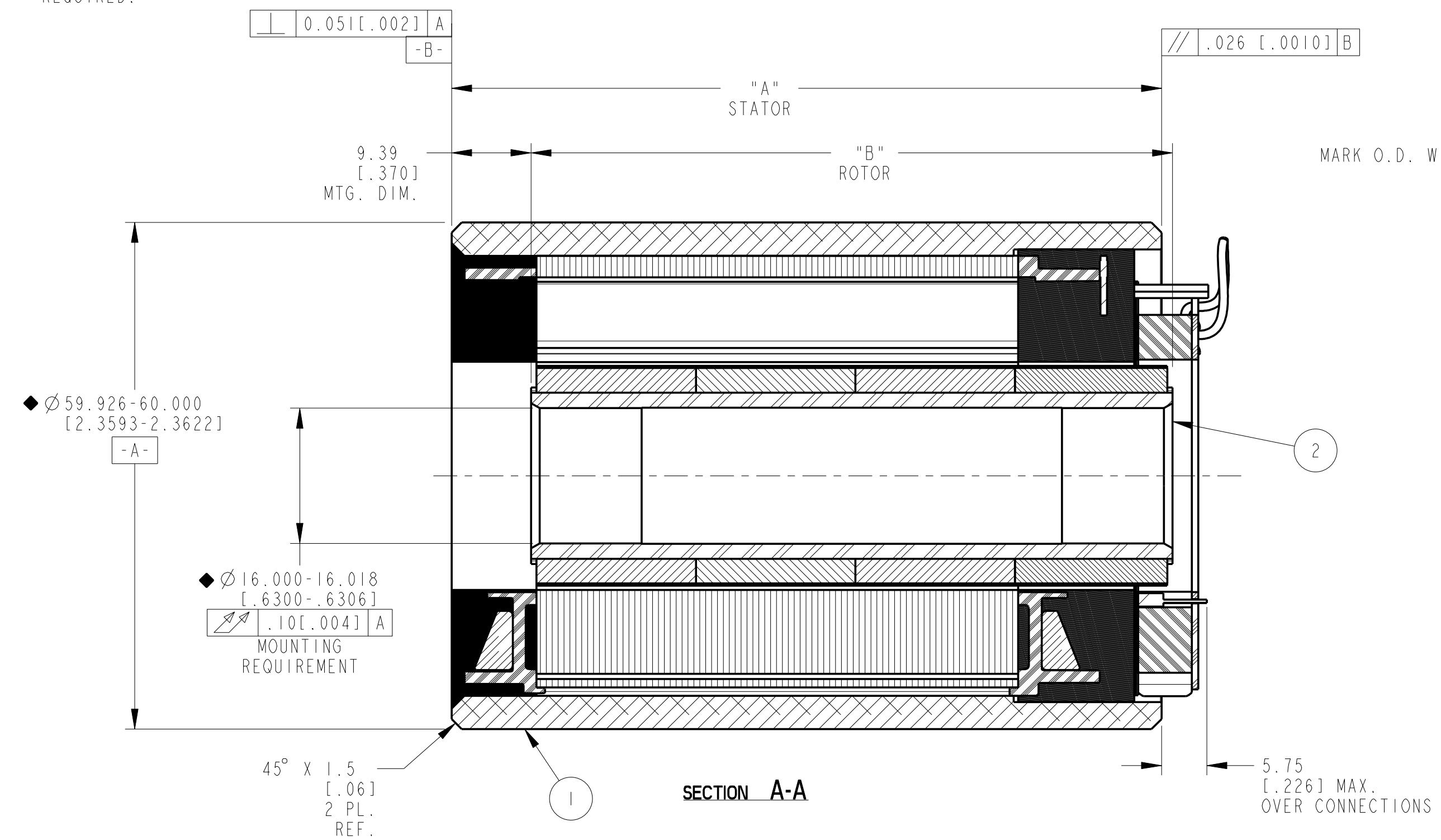
- NOTES:
- 1- MOTOR SUPPLIED AS TWO SEPERATE COMPONENTS, STATOR & SENSOR ASSEMBLY AND FIELD ASSEMBLY.
  - 2- FOR A C.C.W. ROTATION, AS VIEWED FROM LEAD END, ENERGIZE PER EXCITATION SEQUENCE TABLE.
  - 3- R= 1.5K OHMS APPROX. (CUSTOMER SUPPLIED)
  - 4- EMF-UV, EMF-VW AND EMF-WU IS BACK EMF OF MOTOR PHASES UV, VW, AND WU RESPECTIVELY, ALIGNED WITH SENSOR OUTPUT AS SHOWN FOR C.C.W. ROTATION ONLY.
  - 5- SENSORS SET FOR BI-DIRECTIONAL ROTATION.
  - 6- RoHS (DIRECTIVE 2002/95/EC AND AMENDMENTS) COMPLIANCE REQUIRED.

SENSOR LEADS:  
 #26 AWG TEFLON COATED PER MIL-W-22759/11, 400.00 [15.75"] MIN. LG. EACH 1-BLUE, 1-ORANGE, 1-BROWN, 1-GREEN, 1-YELLOW

MOTOR LEADS:  
 #22 AWG TEFLON COATED PER UL 10086, 400.00 [15.75"] MIN. LG. EACH 1-BLUE, 1-BROWN, 1-VIOLET

THERMISTOR LEADS:  
 #26 AWG TEFLON COATED UL RATED 600V, 150°C MIN, 400.00 [15.75"] MIN. LG. EACH 1-BLUE, 1-BLACK

| REVISION |           |             |               |          |  |
|----------|-----------|-------------|---------------|----------|--|
| REV      | ECN NO.   | DESCRIPTION | DATE          | APPROVED |  |
| A        | R01_14145 | SEE ECO     | L&T 20-Jan-11 | LW       |  |
| B        | R01_15266 | SEE ECN     | KLR 17-Jan-13 | LW       |  |
| C        | R01_15601 | SEE ECO     | ALM 8/12/13   | KLR      |  |



| POWER CONNECTION |                |                 |                  |
|------------------|----------------|-----------------|------------------|
| STEP             | PHASE "U" BLUE | PHASE "V" BROWN | PHASE "W" VIOLET |
| 1                | (+)            | (-)             | (-)              |
| 2                | (+)            | (-)             | (-)              |
| 3                | (-)            | (+)             | (-)              |
| 4                | (-)            | (+)             | (-)              |
| 5                | (-)            | (+)             | (+)              |
| 6                | (-)            | (-)             | (+)              |

**EXCITATION SEQUENCE TABLE**

| MODEL NUMBER | STATOR SEE BOM | FIELD ASSEMBLY | "A" DIM        | "B" DIM       |
|--------------|----------------|----------------|----------------|---------------|
| KBMS-10X01   | 944030/01X     | 945192/01      | 46.00 [1.811]  | 38.17 [1.503] |
| KBMS-10X02   | 944030/02X     | 945192/02      | 65.00 [2.559]  | 57.05 [2.246] |
| KBMS-10X03   | 944030/03X     | 945192/03      | 84.00 [3.307]  | 75.92 [2.989] |
| KBMS-10X04   | 944030/04X     | 945192/04      | 103.00 [4.055] | 94.80 [3.732] |

| ITEM | QTY | IDENTIFYING NO. | DESCRIPTION              |
|------|-----|-----------------|--------------------------|
| 3    | AR  | IM-2709         | MARKING PROCEDURE        |
| 2    | I   | SEE TABLE 1     | FIELD ASSEMBLY           |
| 1    | I   | SEE BOM         | STATOR & SENSOR ASSEMBLY |

| LIST OF PARTS   |                 |   |         |
|---|-----------------|---|---------|
| UNLESS OTHERWISE SPECIFIED: REMOVE ALL SHARP BURRS AND BREAK ALL SHARP EDGES. X DECIMAL PLACES ±.4 [.015] XX DECIMAL PLACES ±.13 [.005] ANGULAR DIMENSIONS ±° |                 | KOLI MORGEN   |         |
| DO NOT SCALE DRAWING. USE DIMENSIONS ONLY. ALL DIMENSIONS ARE IN MILLIMETERS DIMENSIONS IN BRACKETS [ ] ARE IN INCHES AND ARE FOR REFERENCE ONLY.             |                 | Inland Motor  |         |
| INTERPRET GEOMETRIC SYMBOLS PER ANSI Y14.5M-1982  |                 | INLAND MOTOR<br>501 FIRST STREET<br>RADFORD, VIRGINIA 24141 |         |
| METRIC DRAWING  |                 | OUTLINE AND ASSEMBLY<br>KBMS-10XXX-X00                      |         |
| DATE: 20-Jan-09   | DATE: 17-Sep-09 | FSCM: 11384   | SIZE: C |
| DATE: 17-Sep-09   | DATE: 17-Sep-09 | DWG. NO.: 943918  | REV: C  |
| SCALE: 2:1  |                 | JOB NO.:  |         |
| SHEET 1 OF 1  |                 |   |         |

**THIS DOCUMENT IS ONLY FOR USE BY THE INTENDED RECIPIENT AND CONTAINS KOLLMORGEN CONFIDENTIAL INFORMATION**

Pro/E Instance Name: KBMS-10XXX-943918  
 Pro/E Drawing Name: 943918  
 Pro/E Model Type: ASSEM  
 Pro/Engineer Drawing

D  
C  
C  
REV. NO. 943918  
A