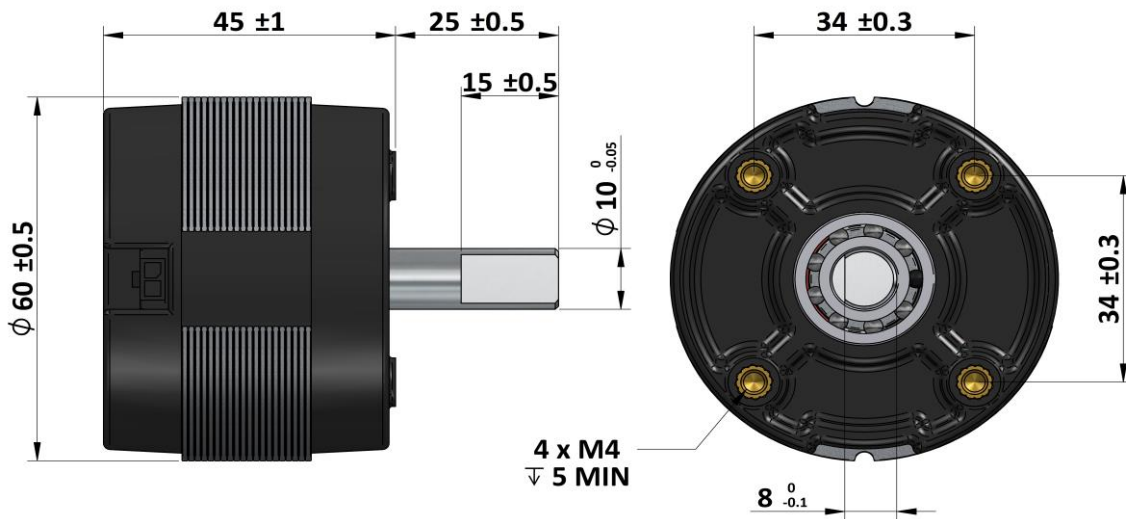




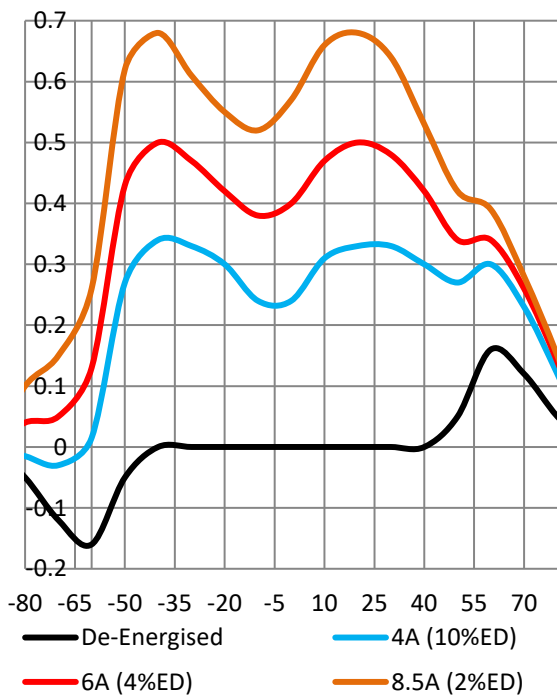
GEEPLUS

BRS6045G-90-6 (RADIAL)

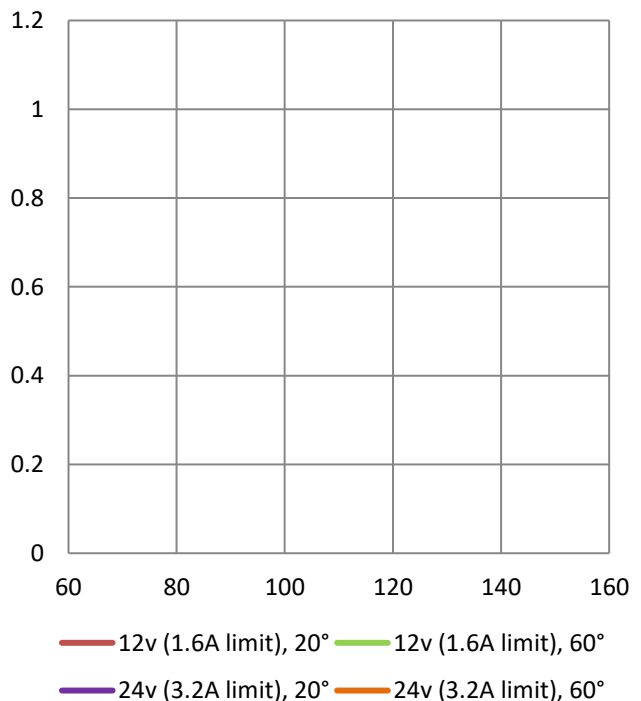
Device drawn with shaft aligned to mid position
 Nominal Coil | Resistance 6Ω,
 Rotor Inertia 42 gcm²
 Life Expectancy >10M cycles, no load, 90° rotation
 Connector compatible with Molex 43645-0200 connector
 Leadsets are available, P/N MF3-2H-L ('L' is length in mm)
 Mass 450 grammes



Torque (Nm) vs Angle



Response (ms) vs Load Inertia (gcm²)



Geeplus reserves the right to change specifications without notice

www.geeplus.com