



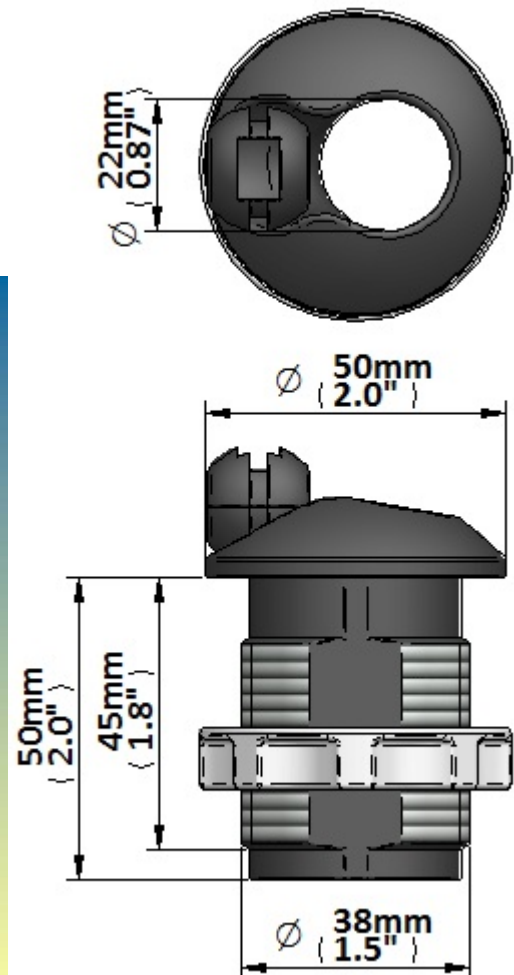
# CABLE TIDY CT1-22

Passing cables through individual cable tidies avoids the twisting and knotting of cables which arises when instruments are repeatedly picked up and put down.

The novel cable bobble allows a controlled length of cable to be used without pulling, and can be dropped through the desktop to keep cables out of the way when not in use.

The cable tidy CT1-22 can be used with devices or instruments with connectors small enough to pass through the 22mm hole.

The cable tidy is easily installed in a 38mm (1-1/2") hole in worktops 12-40mm thick. The large nut can be done up securely by hand without any need for tools.



The bobble is fitted around the cable using a small cable tie threaded through the bobble as shown, before pulling the cable tie tight the bobble should be positioned so as to leave enough cable between the cable tidy and instrument to permit use of the instrument concerned. When positioned as wanted, the end of the cable tie can be pulled to secure the bobble in place, and any excess cut off to leave a neat appearance.



When an instrument is in use, the bobble can be pulled up through the tidy and hooked into the recess to secure in place, this leaves a controlled length of cable on top of the work surface. The instrument can be used without the cable trying to drop down through the work surface and disturbing use.

When not in use the bobble can be dropped down through the cable tidy, allowing the cable to be passed down through the work surface keeping this tidy and free of clutter.