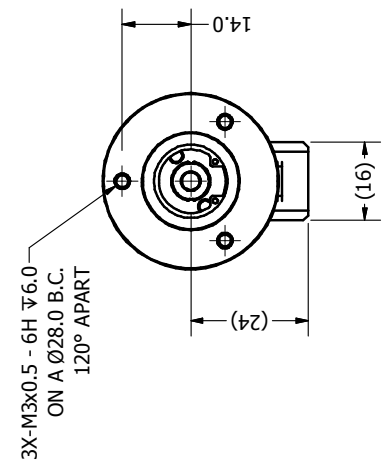
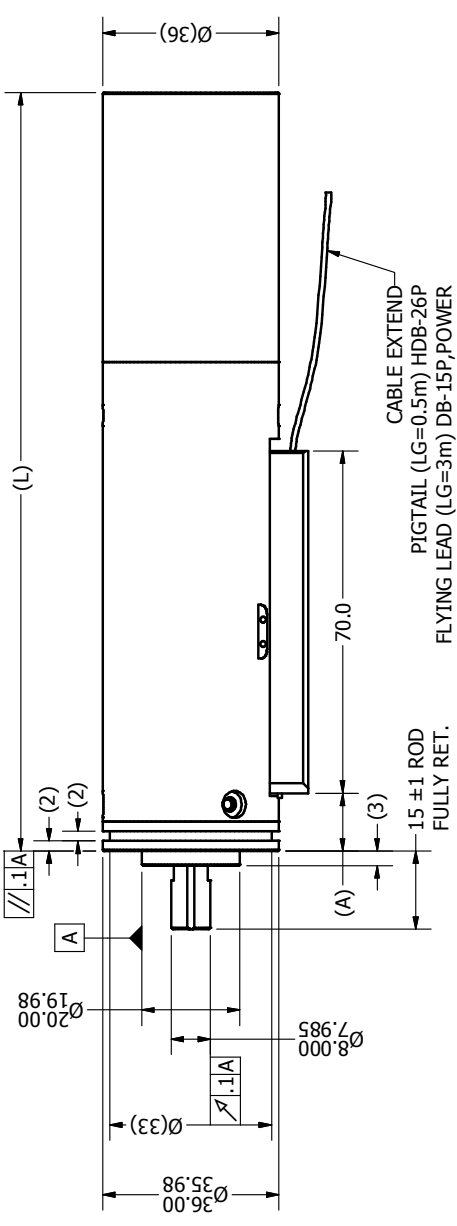


NOTES (UNLESS OTHERWISE SPECIFIED)  
 1. ALL DIMENSIONS ARE IN mm UNLESS OTHERWISE NOTED.  
 2. OPERATING TEMPERATURE: 0°C TO 65°C.

REVISION HISTORY			
REV	DATE	DESCRIPTION	APPROVED
B.8	11/06/2009	RELEASE	TOAN VU
C	4/3/2013	CHANGE RESIST	KARL STOCKS
D	10/23/2014	NEW PART #	JUSTIN

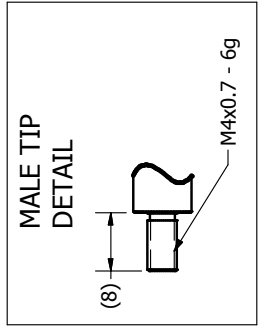
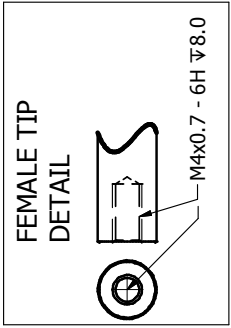


**POWER**

NO	DETAIL
1	VRTN
2	+V
3	COIL +
4	COIL -

**DB 26P PINOUT**

1	(AXIS 1) PH. A+
2	(AXIS 1) PH. B+
3	(AXIS 1) PH. Z+
4	NC
5	NC
6	NO RTN
7	NC
8	NC
9	NC
10	NC
11	(AXIS 1) PH. A-
12	(AXIS 1) PH. B-
13	(AXIS 1) PH. Z-
14	NC
15	NC
16	NC
17	NC
18	NC
19	+5VDC
20	5V RTN
21	(AXIS 1) COIL +
22	(AXIS 1) COIL -
23	(AXIS 1) COIL +
24	(AXIS 1) COIL -
25	NC
26	NC



**DETAILS**

No	Descriptions	UNIT	15	15	15	25	25	25	50
5	LINEAR STROKE	mm	N	30	41	15	27	27	12
1	PEAK FORCE	N	18	18	18	15	27	27	12
2	FORCE CONSTANT	NA	18	15	18	15	27	27	12
3	ENCODER RESOLUTION	um	5,1,0,1	5,1,0,1	5,1,0,1	5,1,0,1	5,1,0,1	5,1,0,1	5,1,0,1
4	ENCODER REPEATABILITY	counts	4	4	4	4	4	4	4
6	MAXIMUM CURRENT	Amp	1	2	2,3	1	2	2	1
7	COIL RESISTANCE	Ohm	23.5	11.8	20	23.5	11.8	11.8	23.5
8	MOVING MASS	kg	0.080	0.13	0.13	0.080	0.15	0.095	0.095
9	TOTAL MASS	kg	0.800	1.180	1.180	0.950	1.270	1.150	1.150
10	DIMENSION (L)	mm	145	202	202	155	212	230	230
11	DIMENSION (A)	mm	13	13	12	13	13	35	35

**SMAC**

DESIGNED BY:	DATE:	CHECKED BY:	DATE:
toartvu	8/5/2009	toartvu	
DRAWN BY: <th>DATE:</th> <td>APPROVED BY: <th>DATE:</th> </td>	DATE:	APPROVED BY: <th>DATE:</th>	DATE:
toartvu	10/23/2014		
PART NAME:	CAL36-XXX-YY-Z		
PART NUMBER:	1 OF 1		
CONTRACT:	CAL36		
REF. NUMBER:	CAL36		
SCALE:	DO NOT SCALE DWG		
EXCEPT/NOTED:	NONE		
PROTECTIVE FINISH:	NONE		
FILE NAME:	CAL36-XXX-YY-Z.idw		
SPEC. NUMBER:	NONE		
DWG SIZE:	B		
SCALE:	NONE		
PART NUMBER:	CAL36-XXX-YY-Z		
REVISION:	D		

**DB-15P**

PIN NO	FUNCTION
1	PH. A+
2	PH. Z+
3	PH. B+
4	+5V
5	NC
6	NC
7	NC
8	NC
9	PH. A-
10	PH. Z-
11	PH. B-
12	5V RTN