

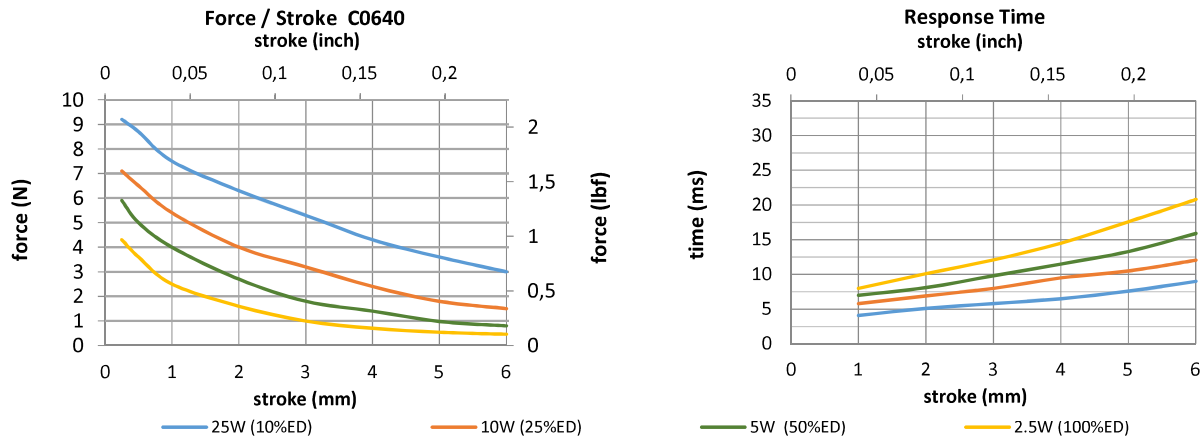
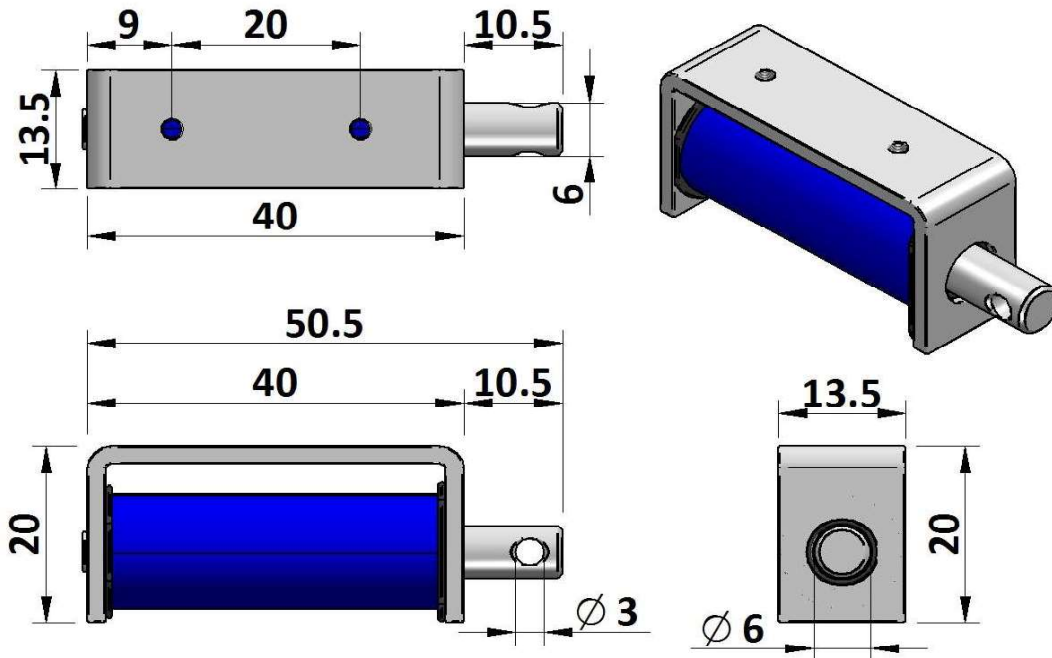


GEEPLUS

Open Frame Solenoid SK-C0640

Device drawn in energised condition
 Life Expectancy >250K cycles
 Leadwires UL1007. 26AWG. 240mm

Plunger Mass 9 grammes
 Total Mass 48 grammes



Data at 20°C, device performance measured without heat sink

duty cycle = $\frac{\text{"on" time}}{\text{"on" time} + \text{"off" time}} \times 100\%$			100% cont.	50% or less	25% or less	10% or less
Max. "on" time in seconds			∞	100	36	7
watts at 20°C			2,5	5,0	10,0	25,0
ampere-turns at 20°			504	712	1008	1593
AWG no.	resistance Ω±10% (at 20°C)	number of turns	volts DC			
	SK-C0640-6v		14	1185	6,0	8,5
SK-C0640-12v	58	2480	12,0	17,0	24,0	38,0
SK-C0640-24v	230	4830	24,0	34,0	48,0	76,0
SK-C0640-48v	922	9460	48,0	68,0	96,0	152

Insulation Resistance >100MΩ, 500VDC Megger

Dielectric Strength 500VAC, 50/60Hz, 1 minute

Class A (105°C) insulation class

Geeplus reserves the right to change specifications without notice

www.geeplus.com