

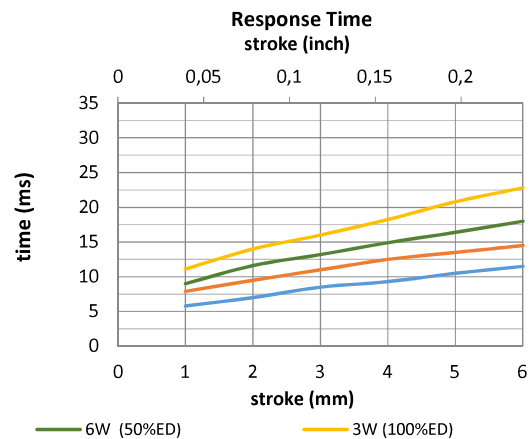
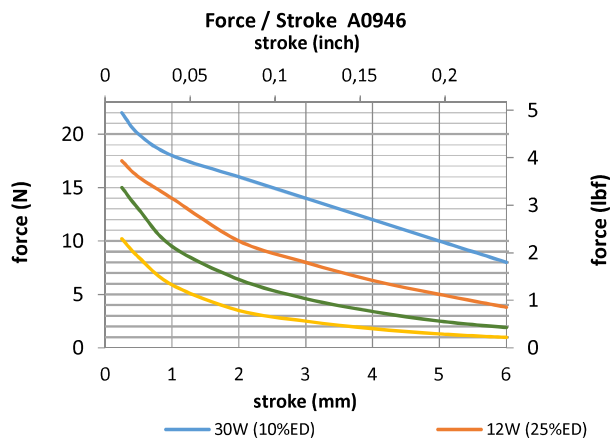
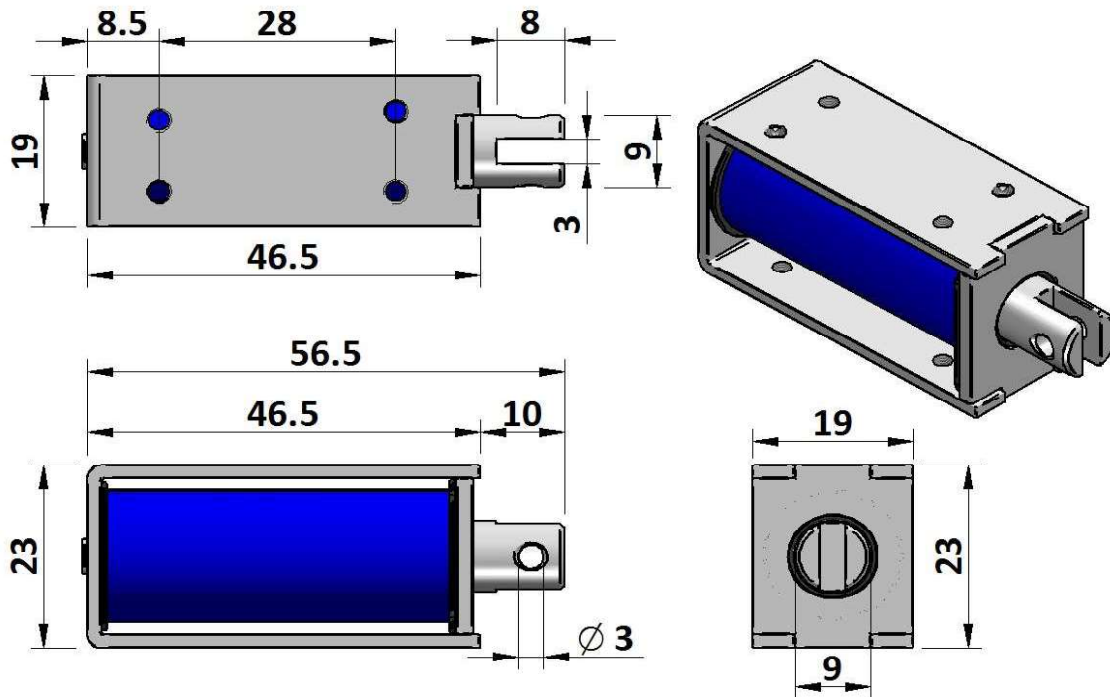


**GEEPLUS**

## Open Frame Solenoid SK-A0946

Device drawn in energised condition  
 Life Expectancy >250K cycles  
 Leadwires UL1007. 26AWG. 240mm

Plunger Mass 20grammes  
 Total Mass 96 grammes



Data at 20°C, device performance measured without heat sink

duty cycle = $\frac{\text{"on" time}}{\text{"on" time} + \text{"off" time}} \times 100\%$			100% cont.	50% or less	25% or less	10% or less
Max. "on" time in seconds			∞	100	36	7
watts at 20°C			3,0	6,0	12,0	30,0
ampere-turns at 20°			585	827	1170	1849
AWG no.	resistance	number of turns	volts DC			
	$\Omega \pm 10\%$ (at 20°C)		6,0	8,5	12,0	19,0
SK-A0946-6v	12	1120	6,0	8,5	12,0	19,0
SK-A0946-12v	48	2320	12,0	17,0	24,0	38,0
SK-A0946-24v	192	4680	24,0	34,0	48,0	76,0
SK-A0946-48v	768	9000	48,0	68,0	96,0	152

Insulation Resistance >100MΩ, 500VDC Megger

Dielectric Strength 500VAC, 50/60Hz, 1 minute

Class A (105°C) insulation class

Geeplus reserves the right to change specifications without notice

[www.geeplus.com](http://www.geeplus.com)