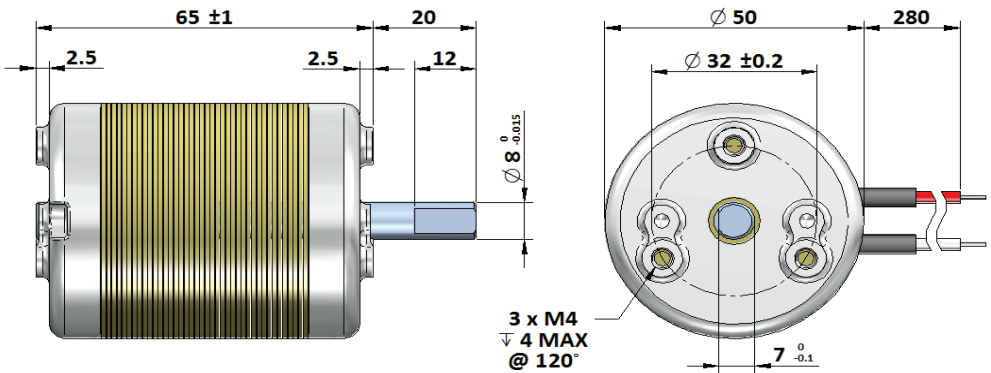




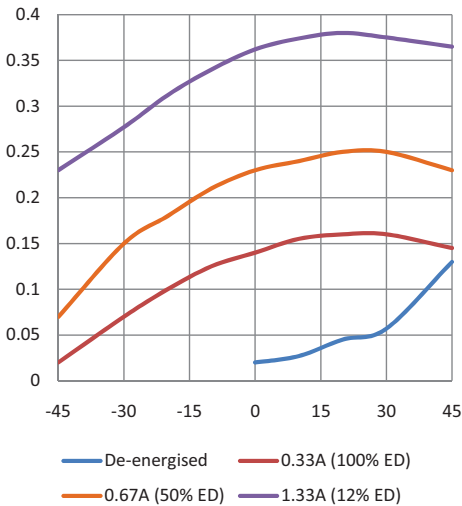
GEEPLUS

BRS5065

Device drawn with shaft aligned to mid position
 Nominal 36Ω , 102mH for operation at 12V , $40\%\text{ED}$
 Rotor Inertia 36gcm^2
 Life Expectancy $>10\text{M}$ cycles, no load, 60° rotation
 Mass 500 grammes
 Insulation Resistance $>100\text{M}\Omega$, 500VDC Megger
 Dielectric Strength 1000vAC , $50/60\text{Hz}$, 1 minute
 Class E (120°C) insulation class



Torque (Nm) vs Angle



Response (ms) vs Angle

