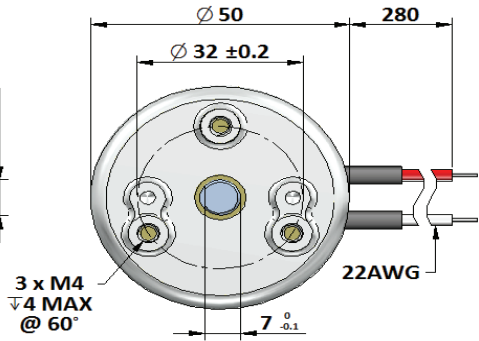
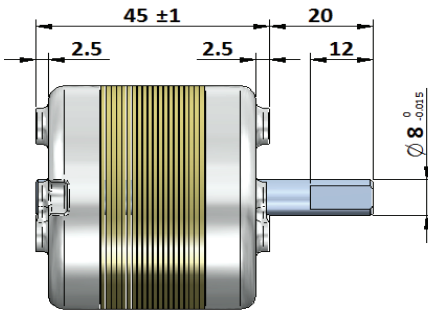




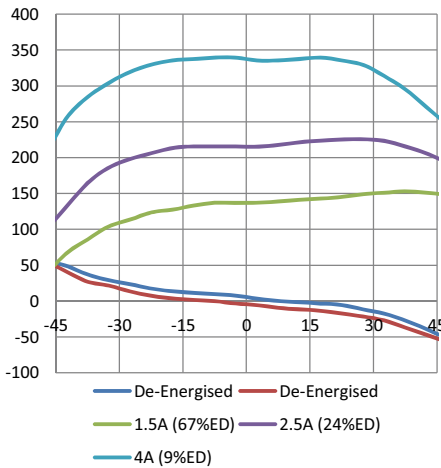
GEEPLUS

BRS5045

Device drawn with shaft aligned to mid position  
 Nominal 6.2Ω, 15mH for operation at 12V, 40%ED  
 Rotor Inertia 18 gcm<sup>2</sup>  
 Life Expectancy >10M cycles, no load, 60° rotation  
 Mass 280 grammes  
 Insulation Resistance >100MΩ, 500VDC Megger  
 Dielectric Strength 1000vAC, 50/60Hz, 1 minute  
 Class E (120°C) insulation class



Torque (mNm) vs Angle



Response (ms) vs Load Inertia (gcm<sup>2</sup>)

