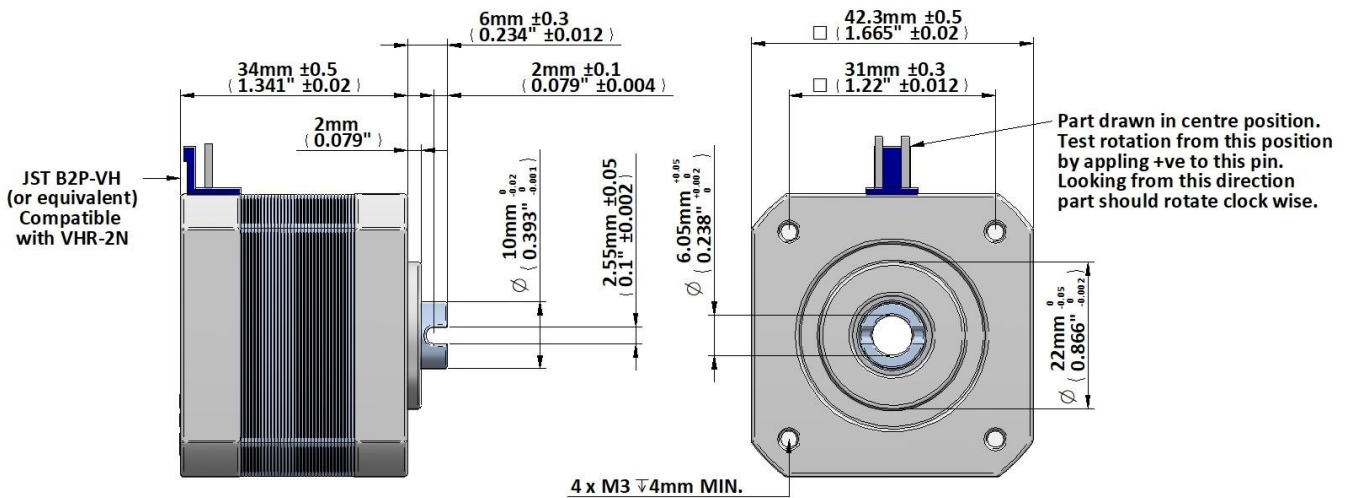




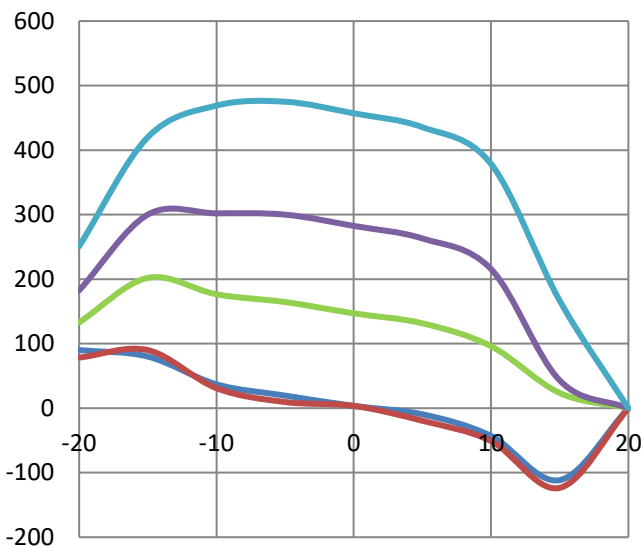
GEEPLUS

BRS4232-6-10

Device drawn with shaft aligned to mid position
 Nominal 10Ω, 10mH for operation at 12v, 50%ED
 Rotor Inertia 36 gcm²
 Life Expectancy >20M cycles, no load
 Optimal rotation +/-10°, Mass 150 grammes
 Turns CCW from position shown, +ve applied to Red lead
 JST B2P-VH (Lead Assy supplied with 450mm, AWG20)

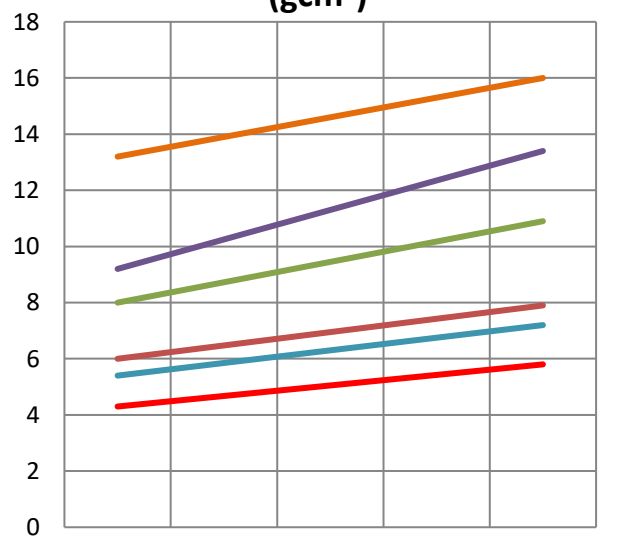


Torque (mNm) vs Angle



- De-Energised (Blue line)
- De-Energised (Red line)
- 1A (50%ED) (Green line)
- 1.8A (15%ED) (Purple line)
- 3A (6%ED) (Cyan line)

Response (ms) vs Load Inertia (gcm²)



- 12v (1A limit), 10° (Red line)
- 12v (1A limit), 15° (Green line)
- 12v (1A limit), 20° (Purple line)
- 12v (1A limit), 25° (Orange line)
- 24v (2A limit), 10° (Red line)
- 24v (2A limit), 15° (Cyan line)